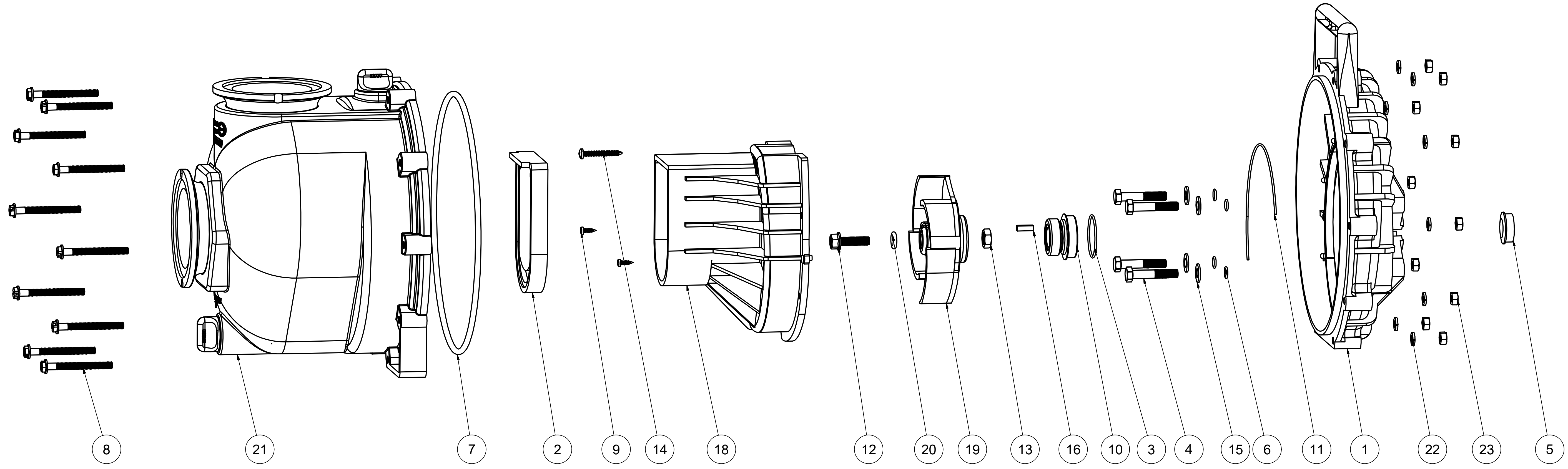


Parts List			
ITEM	QTY	PART NUMBER	DESCRIPTION
1	1	12703A	POLY PUMP REAR BRACKET
2	1	12705	PUMP CHECKVALVE, EPDM
3	1	12710	#029 O-RING
4	4	12715A	5/16-24 X 1 3/4" HHCS WITH TORQ-PATCH
5	1	12716	PUMP SLINGER
6	4	12717	#11 O-RING, EPDM
7	1	12719A	#375 O-RING, EPDM
8	10	12720	1/4-20 X 2 1/2" SL IND HWHS
9	2	12725	#6 X 1/2" PPH SMS
10	1	12733	MECH. SEAL ASSY.
11	1	12754	O-RING SEGMENT
12	1	12765A	5/16-24 X 1 1/8" HFS
13	1	12775A	7/16-14 HEX NUT
14	1	12900	#10 X 1 1/2" PPH SMS
15	4	12901	5/16" FLAT WASHER
16	1	12902A	3/16" SQ. X 5/8" KEY
17	1	12910	DECAL (N/S)
18	1	13702	3" POLY PUMP VOLUTE
19	1	13771	3" POLY PUMP TRIMMED IMPELLER
20	1	A204	#204 O-RING, EPDM
21	1	M13712	3" MNFLD POLY PUMP BODY ASSY.
22	10	V07018	1/4" LOCKWASHER
23	10	V07019	1/4-20 HEX NUT



THIS DRAWING AND ALL INFORMATION CONTAINED THEREON ARE THE EXCLUSIVE PROPERTY OF BANJO CORPORATION.

UNLESS SPECIFICALLY NOTED, THIS DRAWING AND ITEMS SHOWN ON THIS DRAWING ARE SUBJECT TO CHANGE AT ANY TIME.

BANJO CORPORATION
 150 BANJO DRIVE, CRAWFORDSVILLE, IN 47933
 WEB SITE: WWW.BANJOCORP.COM
 E-MAIL: SALES1@BANJOCORP.COM

DESCRIPTION
 3" MANIFOLD POLY PUMP ONLY
 PART NUMBER
 M300PO