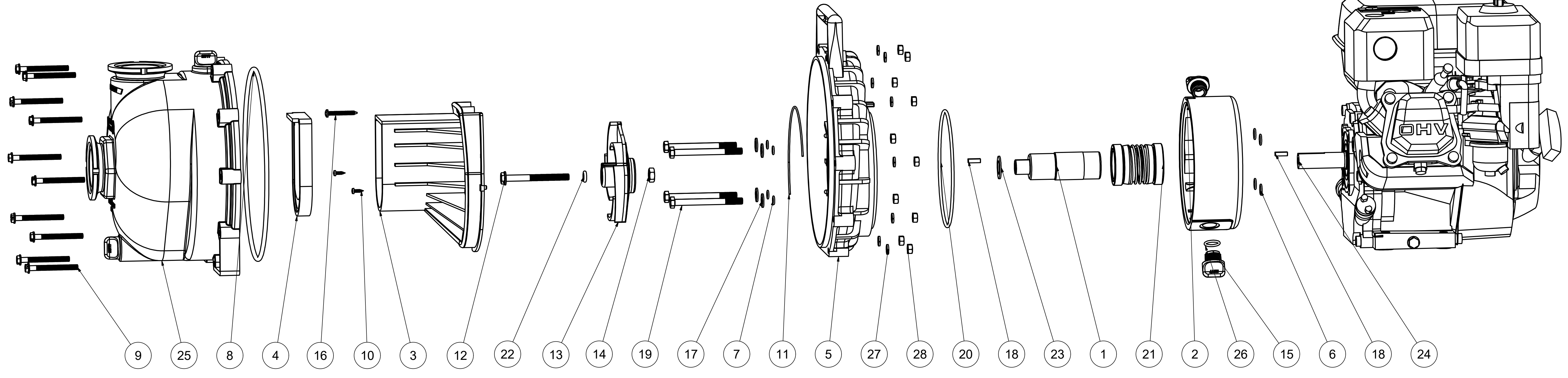


ITEM	QTY	PART NUMBER	DESCRIPTION
1	1	12155	ADAPTER SHAFT
2	1	12202W	2" POLY RESERVOIR
3	1	12702A	2" POLY PUMP VOLUTE
4	1	12705	CHECKVALVE
5	1	12707W	2" W.S. REAR BRACKET
6	4	12709	#13 O-RING
7	4	12717	#11 O-RING
8	1	12719A	#375 O-RING
9	10	12720	1/4-20 X 2 1/2" SL IND HWHS
10	2	12725	#6 X 1/2" PPH SMS
11	1	12754	O-RING SEGMENT
12	1	12766	5/16-24 X 3 1/4" HFS
13	1	12772	IMPELLER
14	1	12775A	7/16-14 HEX NUT
15	2	12777	1/2" DRAIN PLUG
16	1	12900	#10 X 1 1/2" PPH SMS
17	4	12901	5/16" FLAT WASHER
18	2	12902A	3/16" SQ. X 5/8" KEY
19	4	13034	5/16-24 X 3 1/2" HHCS
20	1	13719	#256 O-RING
21	1	15035E	MECH. SEAL ASSY., EPDM
22	1	A203V	#203 O-RING
23	1	CV10175	GASKET
24	1	E5HE	5.5 HP HONDA, ELEC. START
25	1	M12712	2" FP MNFLD PUMP BODY ASSY
26	2	UV15163	2-114 O-RING
27	10	V07018	1/4" LOCKWASHER
28	10	V07019	1/4-20 HEX NUT
29	1	KK-57	WARNING TAG (N/S)



THIS DRAWING AND ALL INFORMATION CONTAINED THEREON ARE THE EXCLUSIVE PROPERTY OF BANJO CORPORATION.

UNLESS SPECIFICALLY NOTED, THIS DRAWING AND ITEMS SHOWN ON THIS DRAWING ARE SUBJECT TO CHANGE AT ANY TIME.

BANJO CORPORATION
 150 BANJO DRIVE, CRAWFORDSVILLE, IN 47933
 WEB SITE: WWW.BANJOCORP.COM
 E-MAIL: SALES1@BANJOCORP.COM

DESCRIPTION: 2" FP MNFLD POLY WET SEAL PUMP W/ 5.5 HP ELEC. START HONDA
 PART NUMBER: M220PH5EW