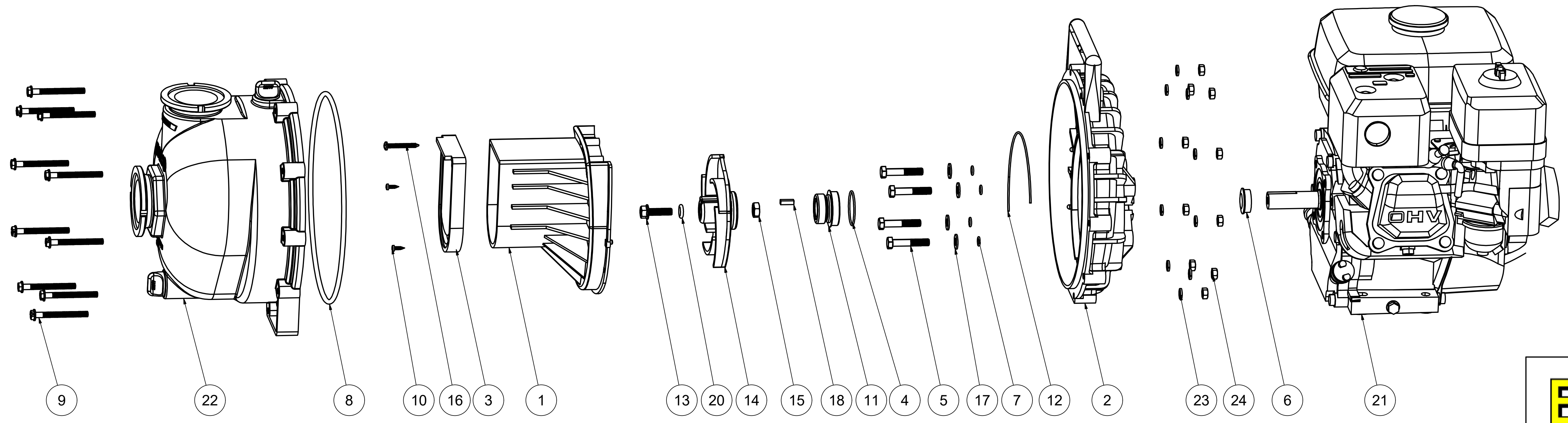


Parts List			
ITEM	QTY	PART NUMBER	DESCRIPTION
1	1	12702A	2" POLY PUMP VOLUTE
2	1	12703A	POLY PUMP REAR BRACKET
3	1	12705	PUMP CHECKVALVE, EPDM
4	1	12710	#029 O'RING
5	4	12715A	5/16-24 X 1 3/4" HHCS WITH TORQ-PATCH
6	1	12716	PUMP SLINGER
7	4	12717	#11 O'RING, EPDM
8	1	12719A	#375 O'RING, EPDM
9	10	12720	1/4-20 X 2 1/2" SL IND HWHS
10	2	12725	#6 X 1/2" PPH SMS
11	1	12733	MECH. SEAL ASSY.
12	1	12754	O'RING SEGMENT
13	1	12765A	5/16-24 X 1 1/8" HFS
14	1	12772	IMPELLER
15	1	12775A	7/16-14 HEX NUT
16	1	12900	#10 X 1 1/2" PPH SMS
17	4	12901	5/16" FLAT WASHER
18	1	12902A	3/16" SQ. X 5/8" KEY
19	1	12910	DECAL (N/S)
20	1	A204	#204 O'RING, EPDM
21	1	E5HE	5.5 HP HONDA, ELEC. START
22	1	M12712	2" FP MNFLD PUMP BODY ASSY
23	10	V07018	1/4" LOCKWASHER
24	10	V07019	1/4-20 HEX NUT



**BANJO CORPORATION**  
 150 BANJO DRIVE, CRAWFORDSVILLE, IN 47933  
 WEB SITE: WWW.BANJOCORP.COM  
 E-MAIL: SALES1@BANJOCORP.COM

THIS DRAWING AND ALL INFORMATION CONTAINED THEREON ARE THE EXCLUSIVE PROPERTY OF BANJO CORPORATION.

UNLESS SPECIFICALLY NOTED, THIS DRAWING AND ITEMS SHOWN ON THIS DRAWING ARE SUBJECT TO CHANGE AT ANY TIME.

DESCRIPTION  
**2" FP MNFLD POLY PUMP W/ 5.5 HP HONDA, ELEC. START**

PART NUMBER  
**M220PH5E**