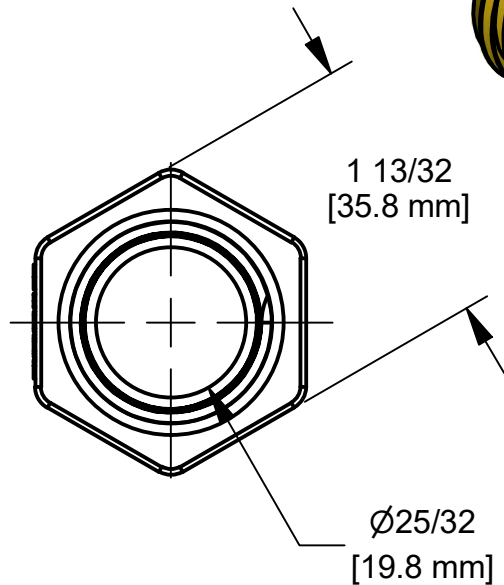
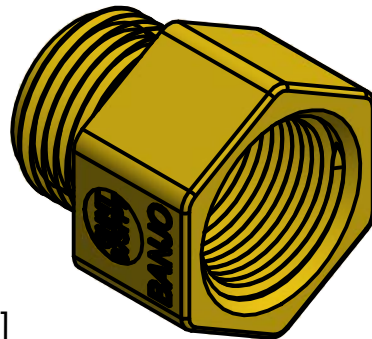
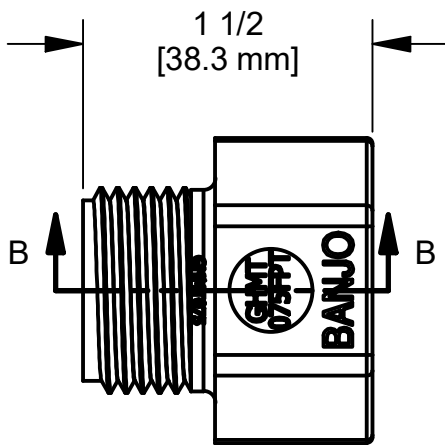


2



1

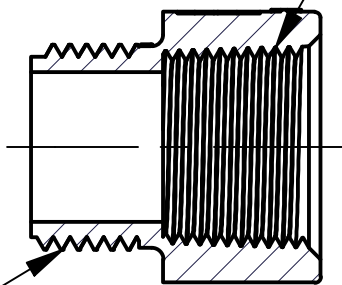
B



B



3/4" - 14 FNPT



3/4"-11 1/2 NHR  
MALE GARDEN HOSE  
BLUNT START

SECTION B-B  
SCALE 1 : 1



A



A

**BANJO CORPORATION**

150 BANJO DRIVE, CRAWFORDSVILLE, IN 47933  
WEB SITE: WWW.BANJOCORP.COM  
E-MAIL: BANJOSALES@IDEXCORP.COM

DESCRIPTION  
3/4" FML NPT X 3/4" GRDN HOSE MLE  
THD

PART NUMBER  
GHMT075FPT

NOTE: PARTS ARE TO BE BAGGED.

THIS DRAWING AND ALL INFORMATION CONTAINED THEREON ARE THE EXCLUSIVE PROPERTY OF BANJO CORPORATION.

UNLESS SPECIFICALLY NOTED, THIS DRAWING AND ITEMS SHOWN ON THIS DRAWING ARE SUBJECT TO CHANGE AT ANY TIME.

2



1