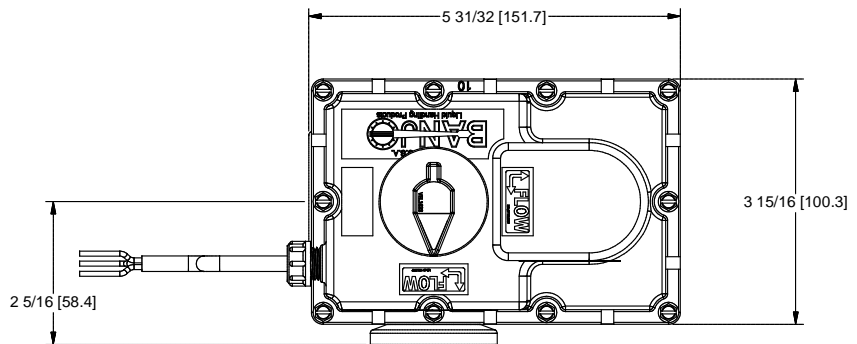
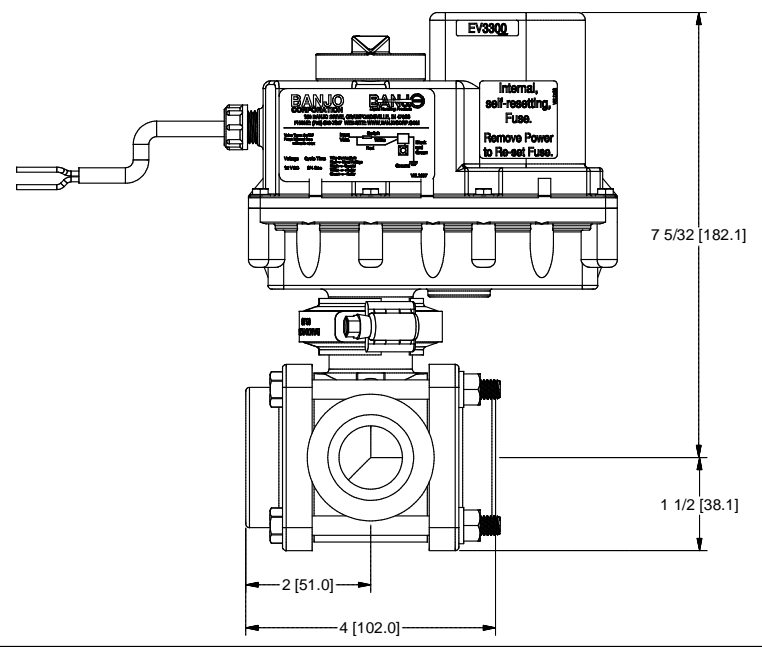
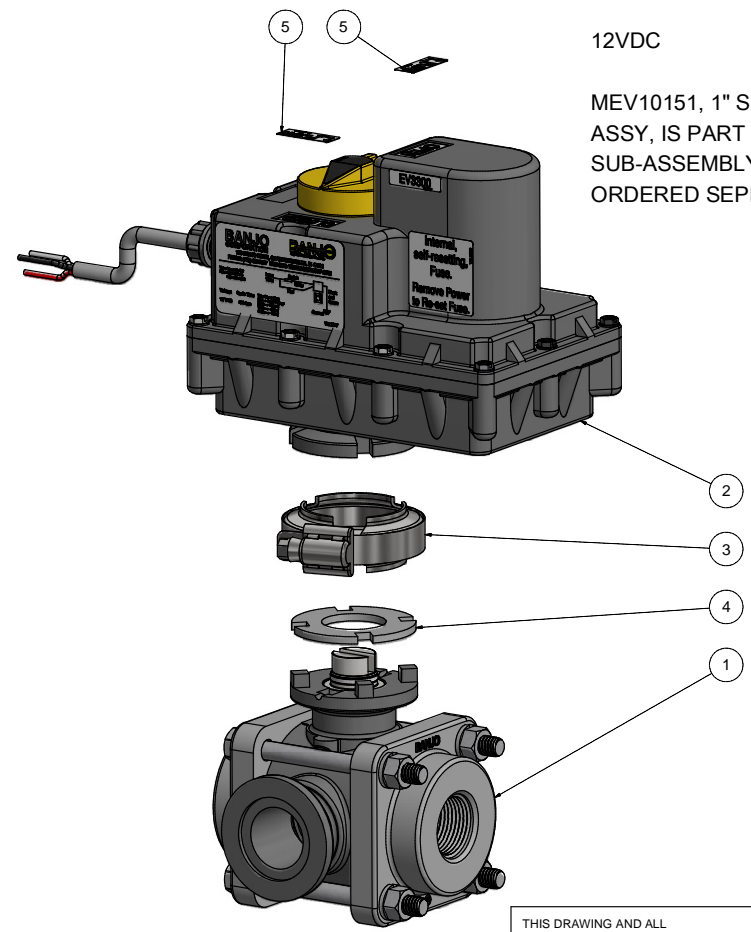


Parts List			
ITEM	QTY	PART NUMBER	DESCRIPTION
1	1	EV075SLXR1	3/4" Valve SubAssy
2	1	EV3300	3/4" Sec, 3 Wire, EV Actuator Assy
3	1	FC100	1" HI TORQUE CLAMP
4	1	MVE004	MVE Mounting Breather
5	2	VEL1019	VE "SL" Sticker



NOTE:  
 12VDC  
 MEV10151, 1" SS EV TOP LOAD STEM ASSY, IS PART OF VALVE SUB-ASSEMBLY, BUT MAY BE ORDERED SEPERATELY.



THIS DRAWING AND ALL INFORMATION CONTAINED THEREON ARE THE EXCLUSIVE PROPERTY OF BANJO CORPORATION.  
 UNLESS SPECIFICALLY NOTED, THIS DRAWING AND ITEMS SHOWN ON THIS DRAWING ARE SUBJECT TO CHANGE AT ANY TIME.

BANJO CORPORATION  
 150 BANJO DRIVE, CRAWFORDSVILLE, IN 47933  
 WEB SITE: WWW.BANJOCORP.COM  
 E-MAIL: BANJOSALES@IDEXCORP.COM

DESCRIPTION  
 3/4" Electric Valve 3/4 Sec, 3 Wire, On/Off

PART NUMBER  
 EV075SL