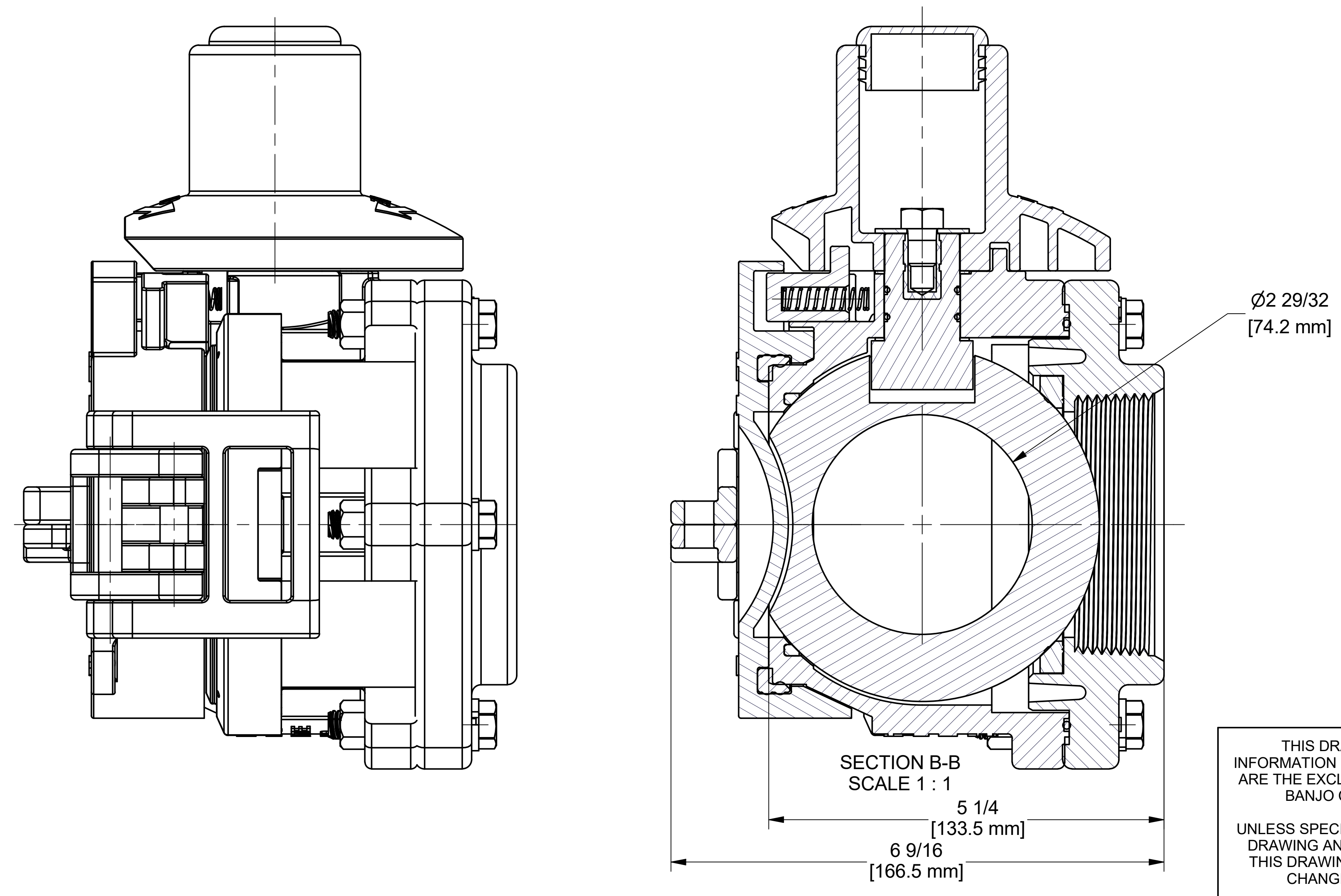


ITEM	QTY	PART NUMBER	DESCRIPTION
1	2	A020V	AS568A -020 O-RING, FKM, BROWN
2	1	DM300CAP	3" DM CAP
3	2	DM35006	3" FP DM Male Clamp Rib
4	1	DM35153M	3" FP DM Male Handle
5	1	DM35254M	3" FP MALE DM BODY, MACHINED
6	1	DM35255	3" FP DRYMATE POLYBALL, TUMBLED
7	1	DM35258	3" FP DM Ball Seat
8	1	DM35281	3" FP DM Button Spring
9	1	DM35288M	3" FP DM HANDLE BUTTON
10	4	DP02063	#2 x 5/8" Type U Drive Screw
11	6	V20010SS	3/8-16 X 2" HHCS
12	6	V20018	3/8" LOCKWASHER
13	6	V20019	3/8" HEX NUT
14	1	V25020	3/8" Handle Bolt
15	2	V25060	VALVE STEM THRUST BEARING
16	1	V25121	3/8" Fender Washer
17	1	V25502	3/4" Cap Plug
18	1	V30151C	3" Stem w/ O-ring Grooves
19	1	V35258A	3" FP Ball Seat
20	1	V35264	3" NPT FP ENDPLATE, MACHINED
21	1	V35265	AS568A -160 O-RING, FKM, BROWN



THIS DRAWING AND ALL INFORMATION CONTAINED THEREON ARE THE EXCLUSIVE PROPERTY OF BANJO CORPORATION.

UNLESS SPECIFICALLY NOTED, THIS DRAWING AND ITEMS SHOWN ON THIS DRAWING ARE SUBJECT TO CHANGE AT ANY TIME.

BANJO CORPORATION
 150 BANJO DRIVE, CRAWFORDSVILLE, IN 47933
 WEB SITE: WWW.BANJOCORP.COM
 E-MAIL: BANJOSALES@DEXCORP.COM

DESCRIPTION
 3" FP MALE DRY MATE FKM

PART NUMBER
 DM300AFP