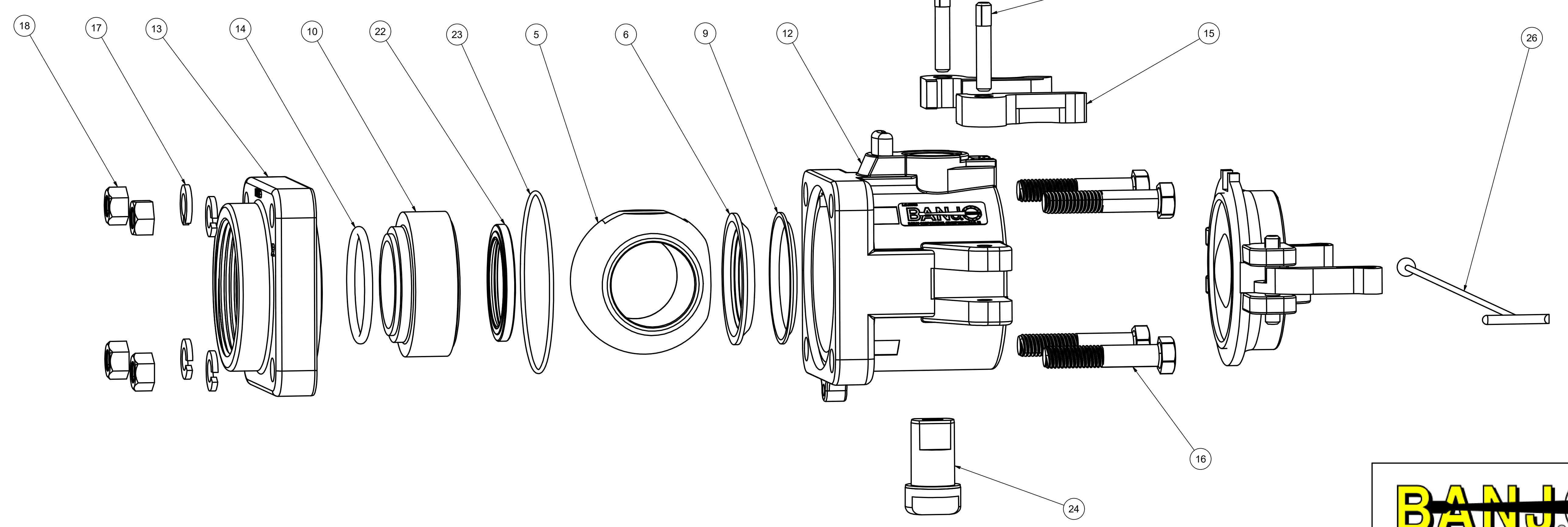
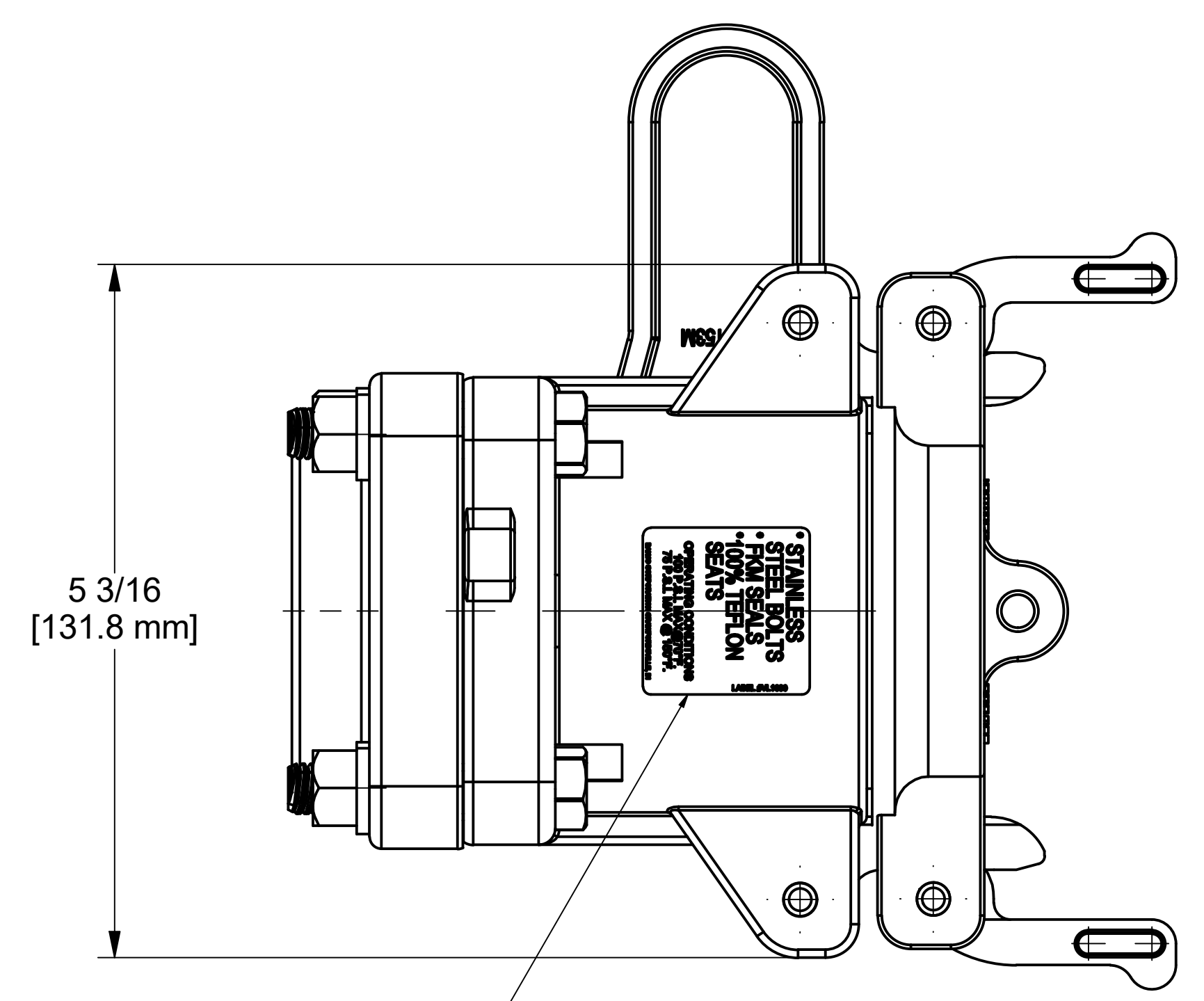
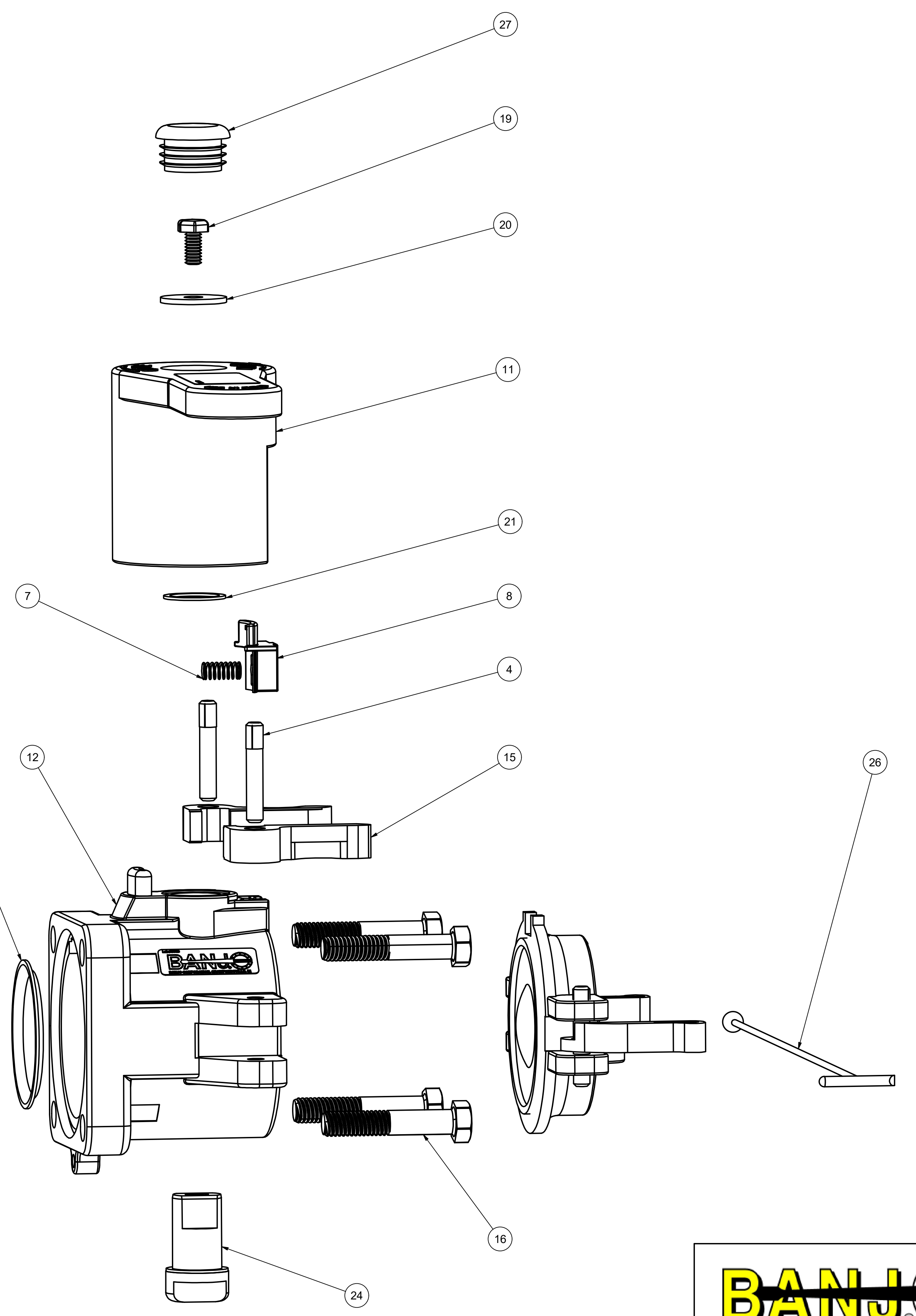
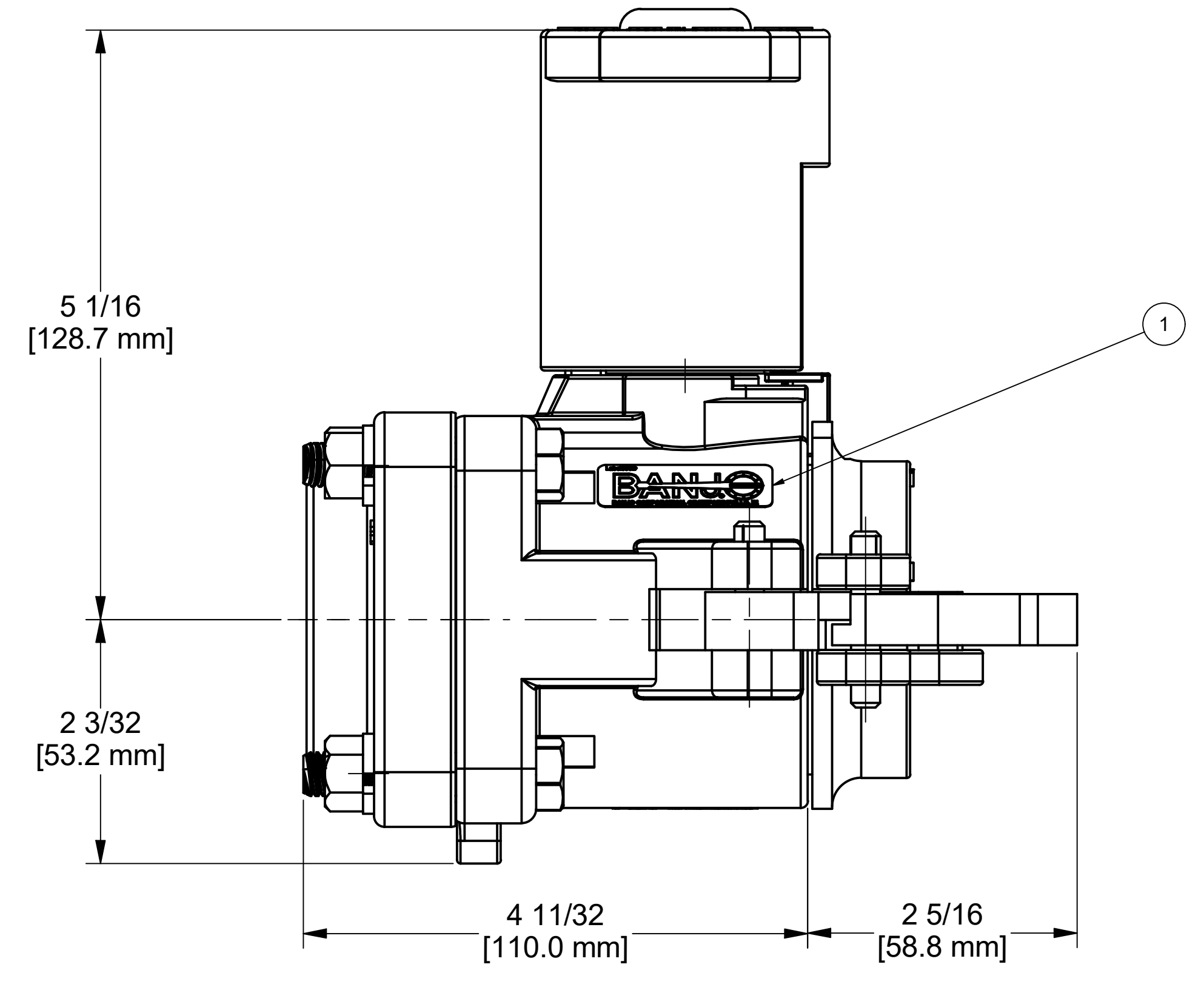
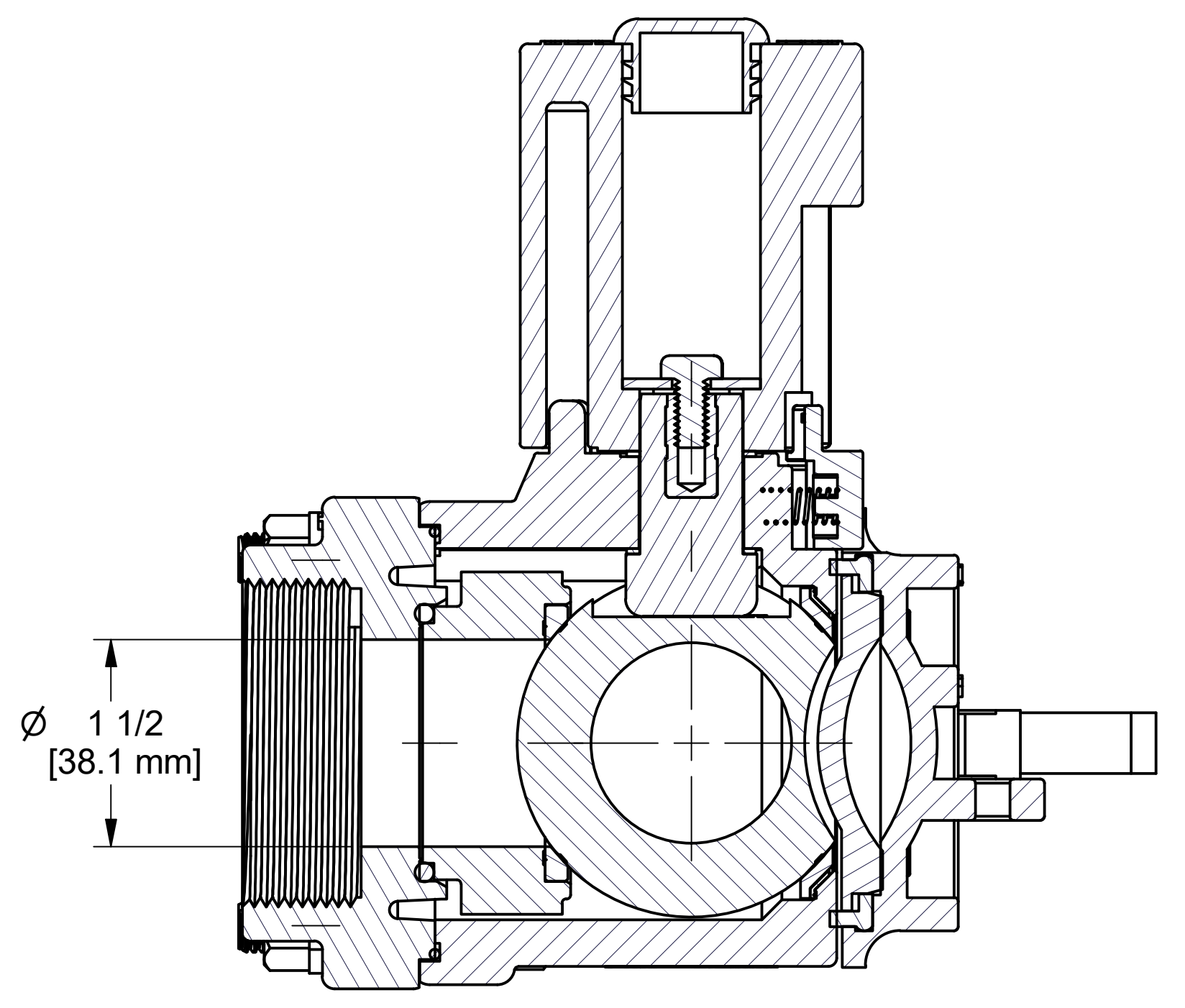
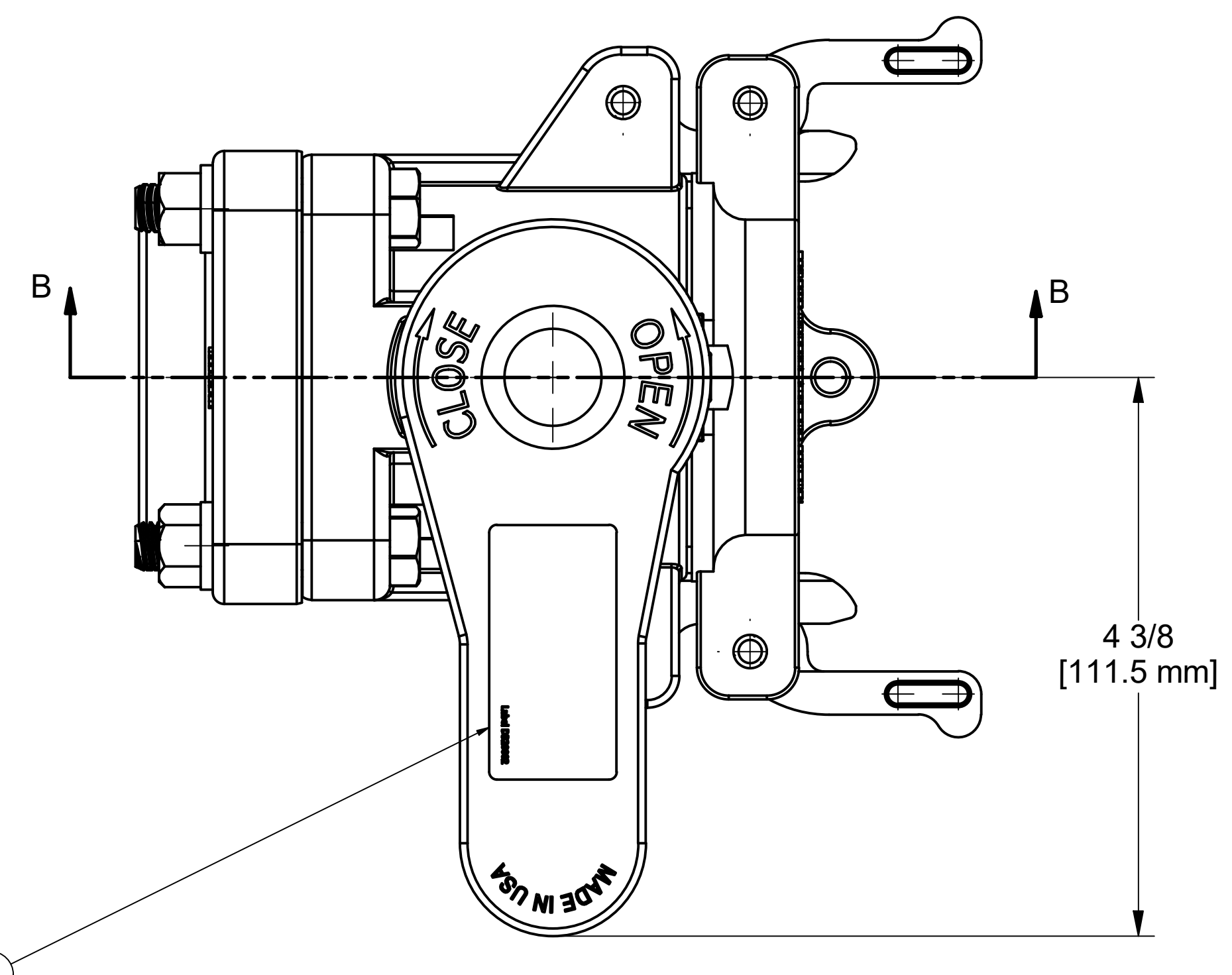


		PARTS LIST	
ITEM	QTY	PART NUMBER	DESCRIPTION
1	1	050DECAL	Banjo Logo Decal
2	1	DB20002	DRY MATE LABEL
3	1	DM200AX	2" POLY MALE DRYMATE
4	2	200P	CAM ARM PIN
5	1	DB20255	1-1/2" 2" DRYMATE BALL, TUMBLED
6	1	DB20258	2" DRYMATE TEFLON SEAT
7	1	DB20281	Dry Mate Handle Interlock Spring
8	1	DB20288	LOCK BUTTON
9	1	DB20290	2" DRYMATE SEAL
10	1	DB20294	2" DRYMATE VALVE SPACER INSERT, MACHINED
11	1	DM20153M	2" MALE DM HANDLE
12	1	DM20254	DRY-MATE 2" MALE BOLTED BODY, MACHINED
13	1	DM20256	2" FNPT DRYMATE ENDPLATE, MACHINED
14	1	DM20265	AS568A -224 O-RING, FKM, BROWN
15	2	DM20300	2" DRYMATE PROFILE INSERT
16	4	V20010SS	3/8-16 X 2" HHCS
17	4	V20018	3/8" LOCKWASHER
18	4	V20019	3/8" HEX NUT
19	1	V20020	2" handle Bolt
20	1	V20021	Handle Washer
21	1	V20060	VALVE STEM THRUST BEARING
22	1	V20258A	2" Valve Seat
23	1	V21204V	AS568A -041 O-RING, FKM, BROWN
24	1	VS20151	VALVE STEM W/ BEARING
25	1	DM200CAP	2" DRYMATE CAP
26	1	V20207A	Polyurethane Lanyard
27	1	V20353C	1 1/8" CAPLUG
28	1	VL1000	100 PSI PRESSURE LABEL VITON SEALS



THIS DRAWING AND ALL INFORMATION CONTAINED THEREON ARE THE EXCLUSIVE PROPERTY OF BANJO CORPORATION.

UNLESS SPECIFICALLY NOTED, THIS DRAWING AND ITEMS SHOWN ON THIS DRAWING ARE SUBJECT TO CHANGE AT ANY TIME.

BANJO CORPORATION  
 150 BANJO DRIVE, CRAWFORDSVILLE, IN 47933  
 WEB SITE: WWW.BANJOCORP.COM  
 E-MAIL: BANJOSALES@DEXCORP.COM

DESCRIPTION  
 2" MALE DRY MATE NPT-FKM

PART NUMBER  
 DM200A