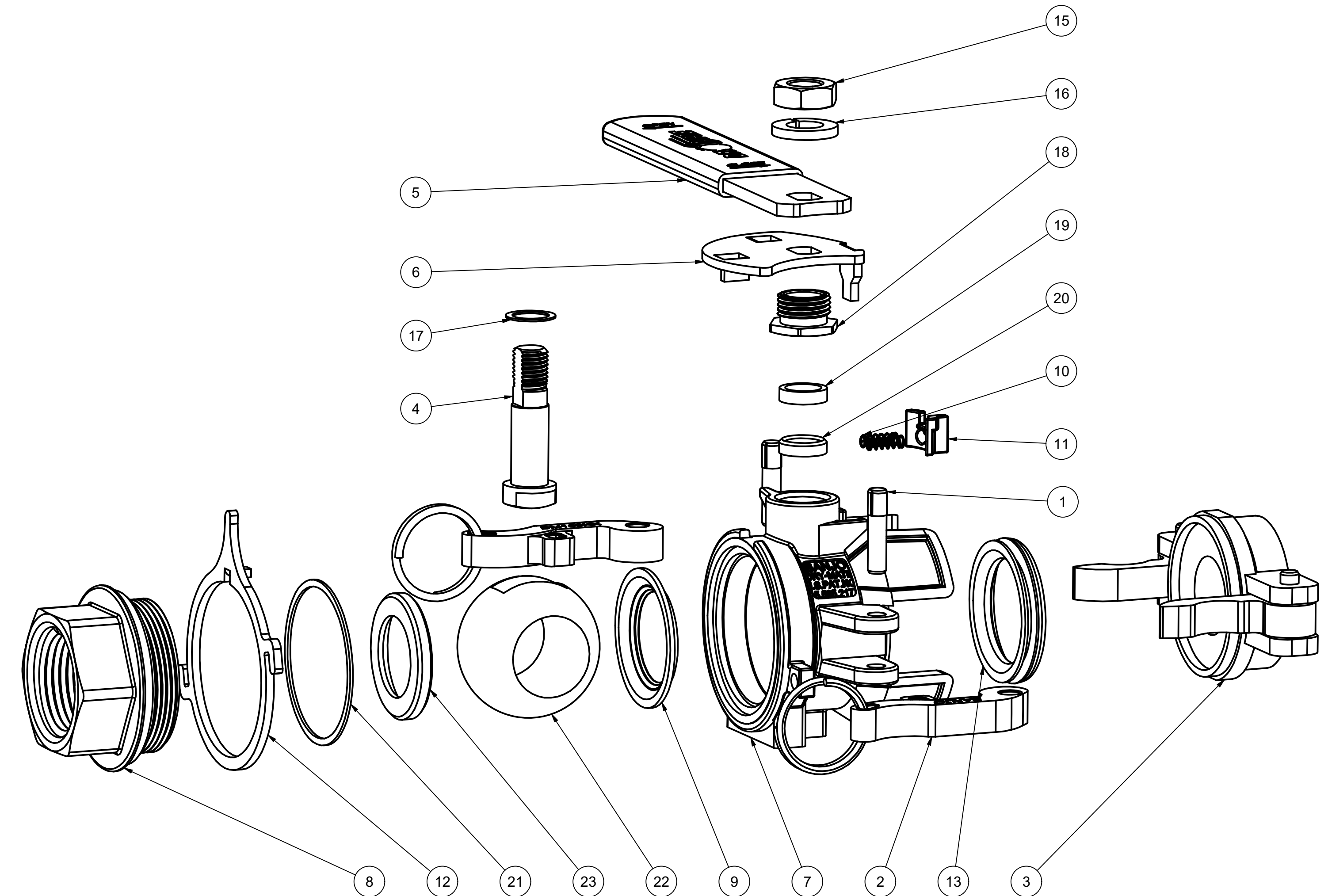
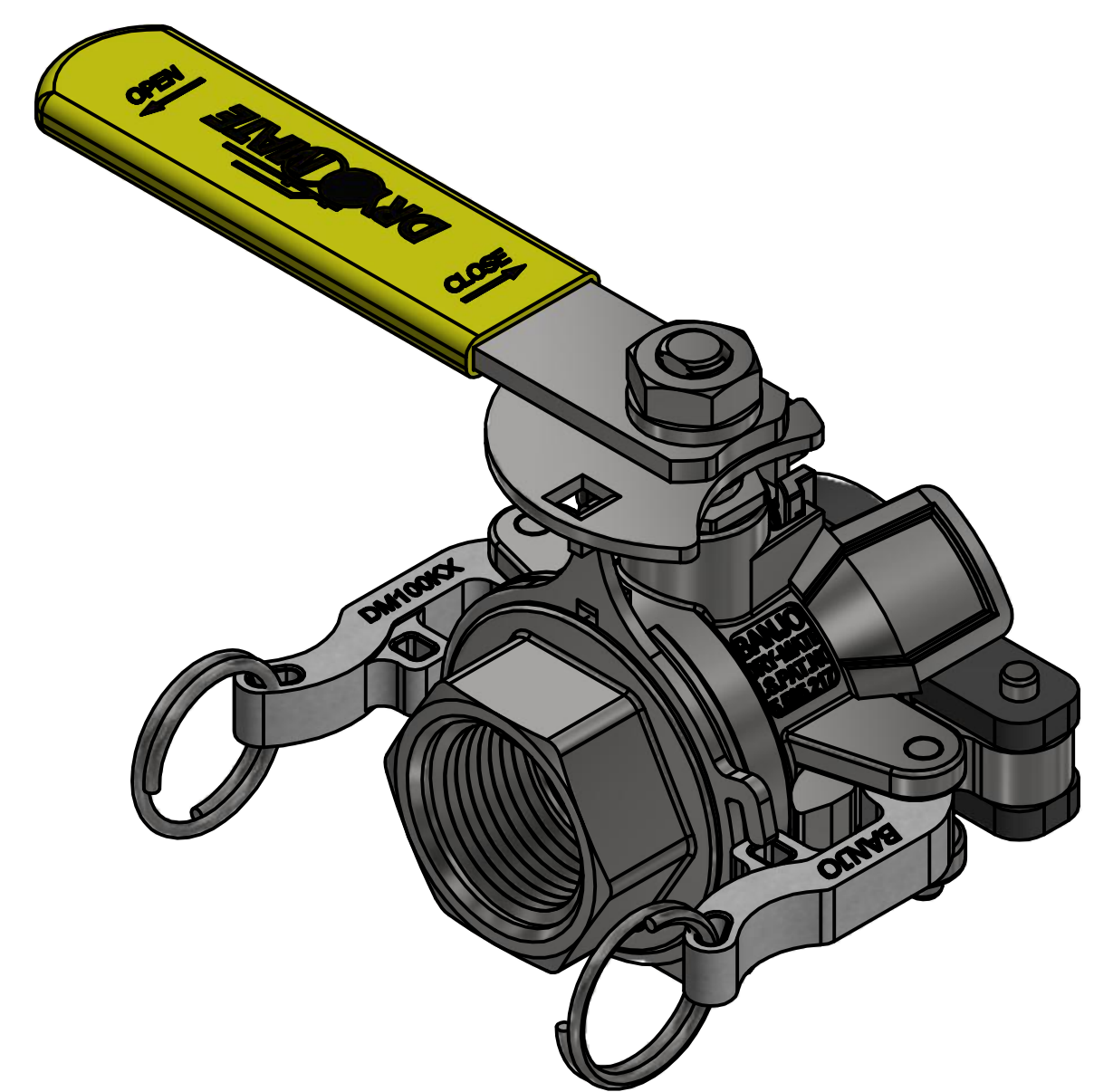


SECTION B-B
SCALE 1 : 1



PARTS LIST			
ITEM	QTY	PART NUMBER	DESCRIPTION
1	2	100P	PIN
2	2	DM100K	1" DRYMATE CAM ARM
3	1	DM100PL	1" DRYMATE DUST PLUG
4	1	DM10151SS	1" Dry Mate Stem
5	1	DM10153FSS	DM100SS INTERLOCK CAM, FEMALE
6	1	DM10154SS	DM100SS INTERLOCK CAM, FEMALE
7	1	DM10254FSS	1" SS Female Dry Mate Body
8	1	DM10256BSS	1" DRYMATE FEMALE BSPP ENDPLATE
9	1	DM10258	1" Drymate Teflon Seat
10	2	DM10281	SS Spring
11	1	DM10288SS	1" DRYMAT HANDLE INTERLOCK BUTTON
12	1	DM10289SS	1" DRYMATE LOCKING YOKE
13	1	DM10295A	1" Drymate Seal
14	1	V20207A	Polyurethane Lanyard (N/S)
15	1	VSS10020	7/16" - 20 18-8SS Jam Nut
16	1	VSS10021	7/16" Lockwasher
17	1	VSS10060	1" SS Thrust Washer
18	1	VSS10159	1" SS Gland Nut
19	1	VSS10160F	Female Stem Packing
20	1	VSS10160M	Male Stem Packing
21	1	VSS10204	1" SS Body Gasket
22	1	VSS10255	1" SS Ball
23	1	VSS10258	1" SS Valve Seat



THIS DRAWING AND ALL INFORMATION CONTAINED THEREON ARE THE EXCLUSIVE PROPERTY OF BANJO CORPORATION.
UNLESS SPECIFICALLY NOTED, THIS DRAWING AND ITEMS SHOWN ON THIS DRAWING ARE SUBJECT TO CHANGE AT ANY TIME.

BANJO CORPORATION
150 BANJO DRIVE, CRAWFORDSVILLE, IN 47933
WEB SITE: WWW.BANJO.CORP.COM
E-MAIL: BANJOSALES@DEXCORP.COM

DESCRIPTION
1" FEMALE BSP SS-EPDM FACE SEAL

PART NUMBER
DM100DBSSE