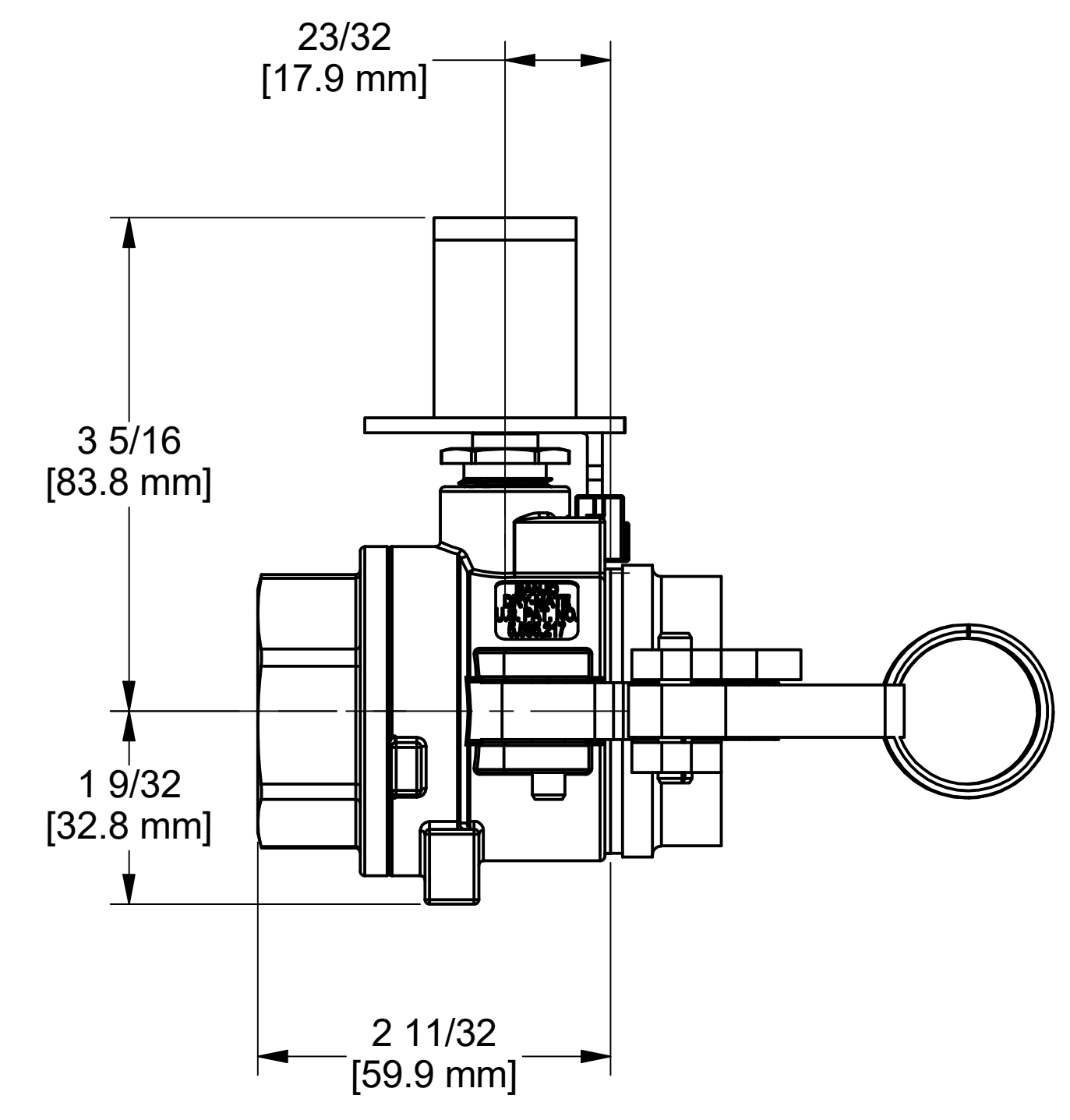
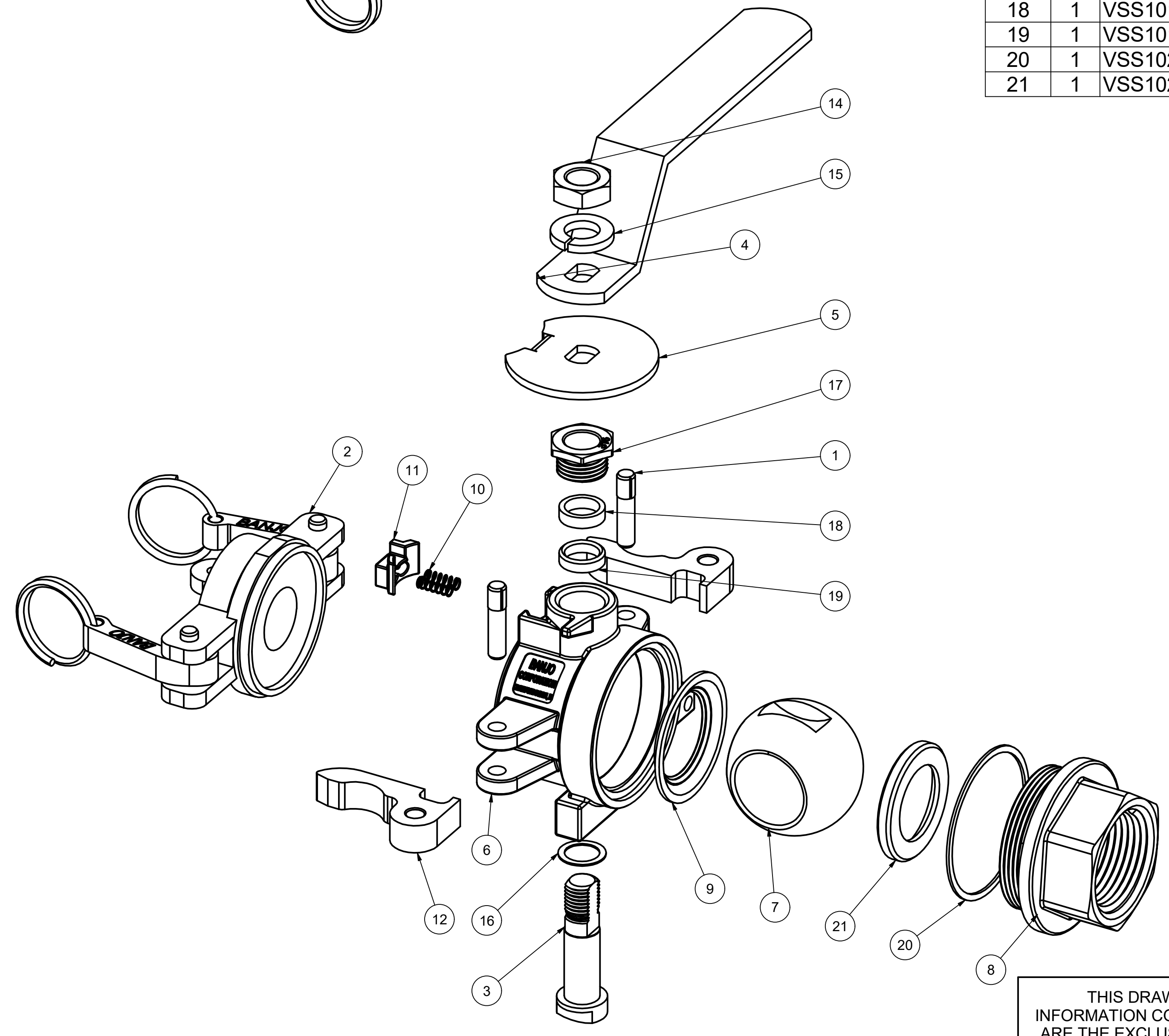
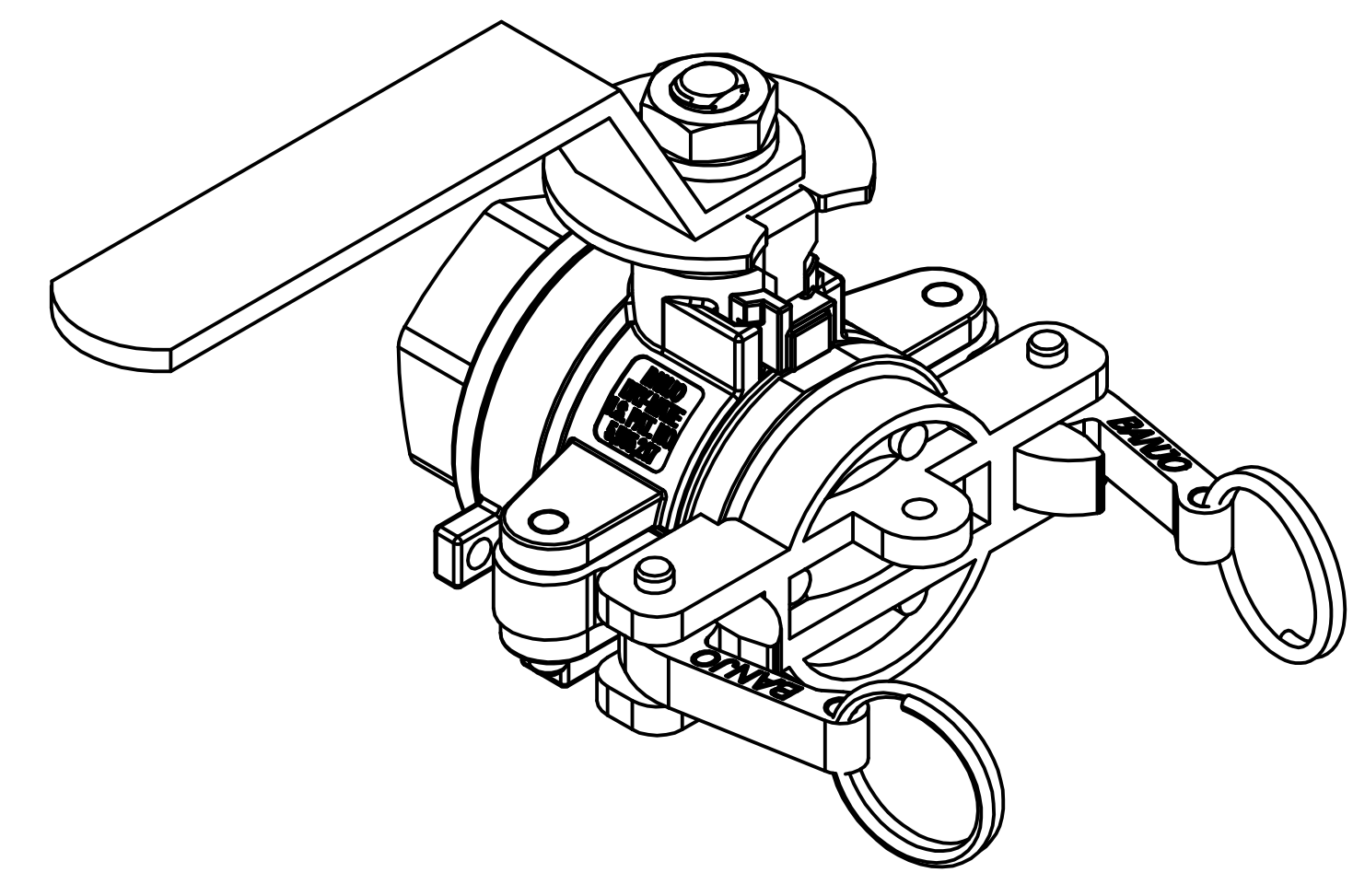
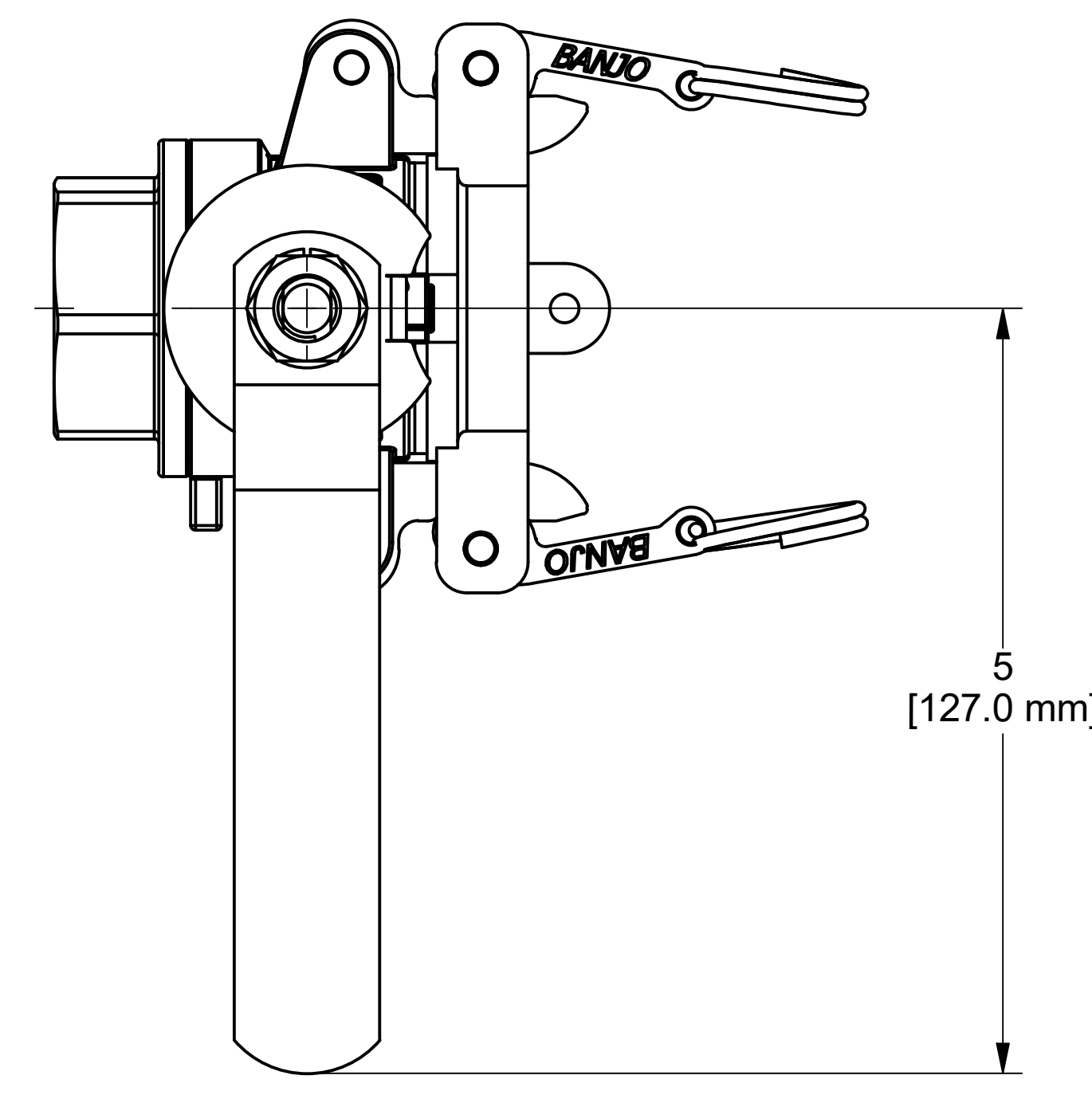


PARTS LIST			
ITEM	QTY	PART NUMBER	DESCRIPTION
1	2	100P	PIN
2	1	DM100CAP	1" Dry Mate Dust Cap
3	1	DM10151SS	1" Dry Mate Stem
4	1	DM10153MSS	1" Dry Mate Male Handle
5	1	DM10155SS	DM100SS INTERLOCK CAM, MALE
6	1	DM10254MSS	1" SS MALE DRY MATE BODY
7	1	DM10255SS	1" DRY MATE BALL
8	1	DM10257SS	1" DRYMATE MALE ENDPLATE
9	1	DM10258	1" Drymate Teflon Seat
10	2	DM10281	SS Spring
11	1	DM10288SS	1" DRYMAT HANDLE INTERLOCK BUTTON
12	2	DM10300	1" DRYMATE PROFILE INSERT
13	1	V20207A	Polyurethane Lanyard (Not Shown)
14	1	VSS10020	7/16" - 20 18-8SS Jam Nut
15	1	VSS10021	7/16" Lockwasher
16	1	VSS10060	1" SS Thrust Washer
17	1	VSS10159	1" SS Gland Nut
18	1	VSS10160F	Female Stem Packing
19	1	VSS10160M	Male Stem Packing
20	1	VSS10204	1" SS Body Gasket
21	1	VSS10258	1" SS Valve Seat



THIS DRAWING AND ALL INFORMATION CONTAINED THEREON ARE THE EXCLUSIVE PROPERTY OF BANJO CORPORATION.

UNLESS SPECIFICALLY NOTED, THIS DRAWING AND ITEMS SHOWN ON THIS DRAWING ARE SUBJECT TO CHANGE AT ANY TIME.

BANJO CORPORATION
 150 BANJO DRIVE, CRAWFORDSVILLE, IN 47933
 WEB SITE: WWW.BANJO.CORP.COM
 E-MAIL: BANJOSALES@DEXCORP.COM

DESCRIPTION
1" MALE NPT SS DRY MATE

PART NUMBER
DM100ASS