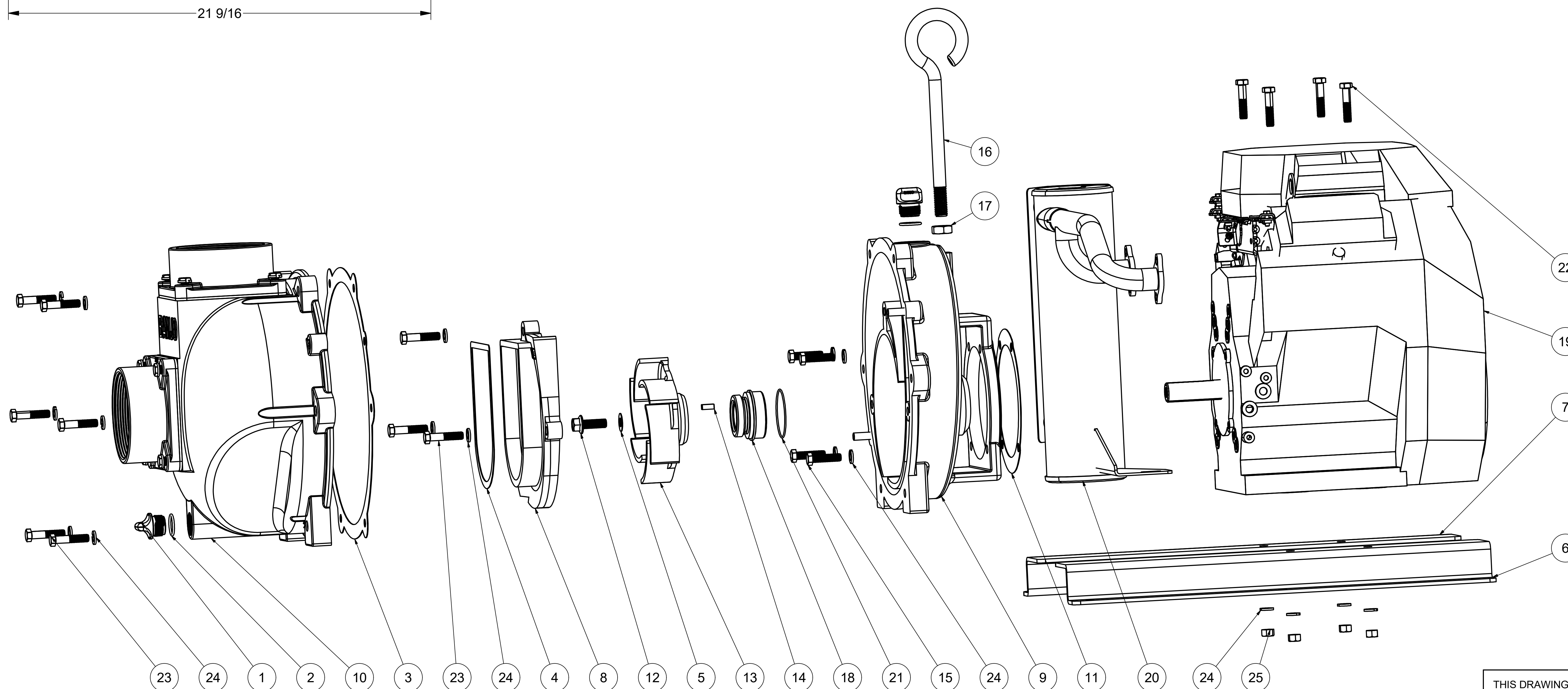


Parts List			
ITEM	QTY	PART NUMBER	DESCRIPTION
1	2	13777	3/4" DRAIN PLUG
2	2	13778	#119 O'RING, EPDM
3	1	16019A	GASKET
4	1	16019B	GASKET
5	1	16019C	GASKET
6	1	16033A	Z-RAIL
7	1	16033B	Z-RAIL
8	1	16702	4" PUMP VOLUTE
9	1	16707	4" PUMP REAR BRACKET ASSY
10	1	16712	4" PUMP BODY ASSY
11	1	16751	GASKET SHIM SET
12	1	16765	7/16-20 1 1/4" HFS
13	1	16775	6 VANE IMPELLER FOR 4" PUMP
14	1	16901	1/4" SQ. X 3/4" KEY
15	4	18027	3/8-16 X 1 1/2" HHCS
16	1	18033	PUMP HANDLE
17	1	18034	5/8-11 JAM NUT
18	1	18435	4" PUMP MECH. SEAL ASSY
19	1	E24H	HONDA GX690
20	1	MUF0497R	MUFFLER FOR 690 HONDA
21	1	V10264	#36 O'RING
22	4	V20011	3/8-16 X 1 3/4" HHCS
23	9	V20011SS	3/8-16 X 1 3/4" HHCS
24	17	V20018	3/8" LOCKWASHER
25	4	V20019	3/8" HEX NUT
26	1	12910	PUMP DECAL (N/S)
27	1	16752	IMPELLER SHIM (N/S), AS NEEDED
28	30"	E20FL	1/4" CARB/EPA FUEL LINE (N/S)
29	1	E20T	FUEL TANK (N/S)



**BANJO CORPORATION**  
 150 BANJO DRIVE, CRAWFORDSVILLE, IN 47933  
 WEB SITE: WWW.BANJOCORP.COM  
 E-MAIL: SALES1@BANJOCORP.COM

THIS DRAWING AND ALL INFORMATION CONTAINED THEREON ARE THE EXCLUSIVE PROPERTY OF BANJO CORPORATION.  
 UNLESS SPECIFICALLY NOTED, THIS DRAWING AND ITEMS SHOWN ON THIS DRAWING ARE SUBJECT TO CHANGE AT ANY TIME.

DESCRIPTION  
**4" CI PUMP W/ 24 HP HONDA**  
 PART NUMBER  
**444PIH24**