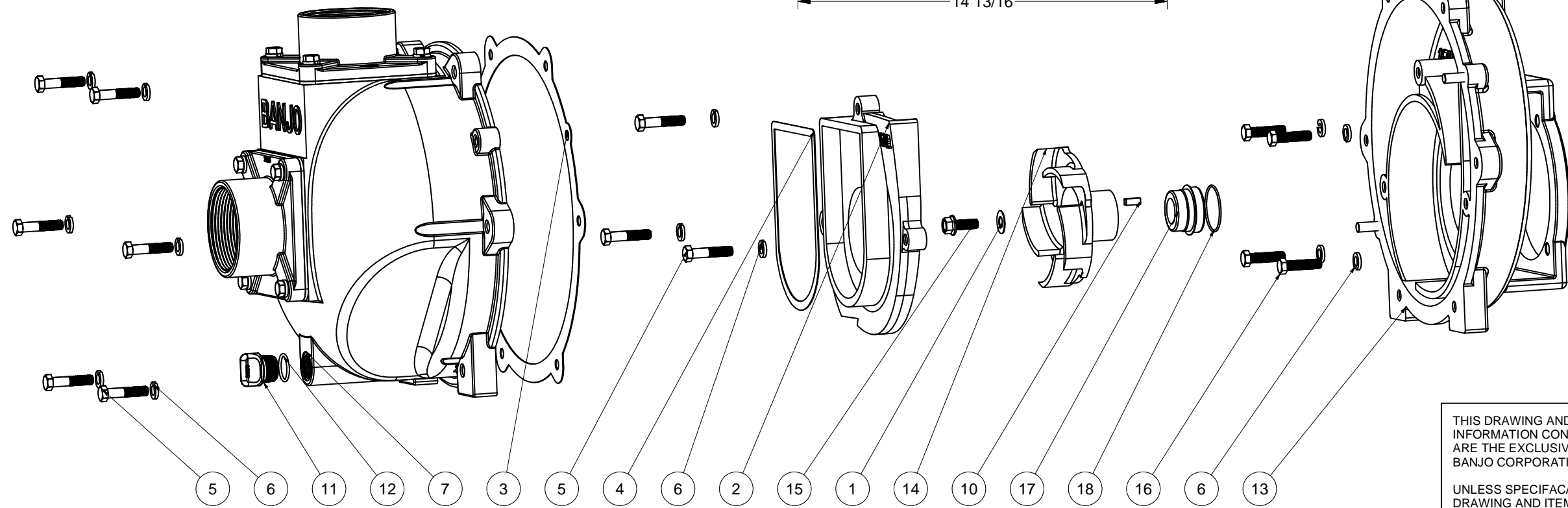


Parts List			
ITEM	QTY	PART NUMBER	DESCRIPTION
1	1	16019C	GASKET
2	1	16702	4" PUMP VOLUTE
3	1	16019A	GASKET
4	1	16019B	GASKET
5	9	V20011SS	3/8-16 X 1 3/4" HHCS
6	13	V20018	3/8" LOCKWASHER
7	1	16733	3" PUMP BODY ASSY.
8	1	18033	PUMP HANDLE
9	1	18034	5/8-11 JAM NUT
10	1	16901	1/4" SQ. KEY
11	2	13777	3/4" DRAIN PLUG
12	2	13778V	2-119 O'RING
13	1	16704	3" CI REAR BRKT ASSY.
14	1	16774	3" TRIMMED PUMP IMPELLER
15	1	13765	3/8-24 X 1" HFS
16	4	18027	3/8-16 X 1 1/2" HHCS
17	1	16713	MECH. SEAL ASSY.
18	1	16710	#031 O'RING
19	1	12910	PUMP DECAL (N/S)



THIS DRAWING AND ALL INFORMATION CONTAINED THEREON ARE THE EXCLUSIVE PROPERTY OF BANJO CORPORATION.

UNLESS SPECIFICALLY NOTED, THIS DRAWING AND ITEMS SHOWN ON THIS DRAWING ARE SUBJECT TO CHANGE AT ANY TIME.

**BANJO CORPORATION**  
 150 BANJO DRIVE, CRAWFORDSVILLE, IN 47933  
 WEB SITE: WWW.BANJOCORP.COM  
 E-MAIL: SALES1@BANJOCORP.COM

DESCRIPTION	3" CI PUMP ONLY
PART NUMBER	333POI