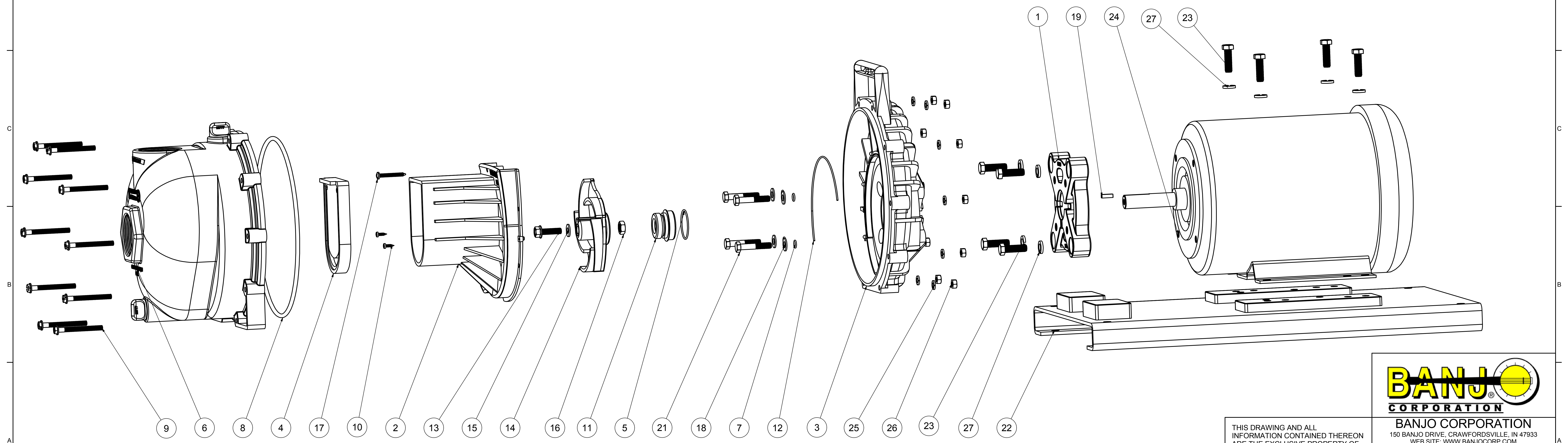


Parts List			DESCRIPTION
ITEM	QTY	PART NUMBER	
1	1	12046	56C ADAPTER PLATE
2	1	12702A	2" POLY PUMP VOLUTE
3	1	12703A	POLY PUMP REAR BRACKET
4	1	12705V	CHECKVALVE
5	1	12710V	#029 O'RING
6	1	12712AVP	2" POLY PUMP BODY- FKM
7	4	12717V	#11 O'RING
8	1	12719AV	#375 O'RING
9	10	12720	1/4-20 X 2 1/2" SL IND HWHS
10	2	12725	#6 X 1/2" PPH SMS
11	1	12733V	MECH SEAL ASSY - FKM
12	1	12754V	O'RING SEGMENT
13	1	12765A	5/16-24 X 1 1/8" HFS
14	1	12772	IMPELLER
15	1	12774VA	IMPELLER BOLT GASKET
16	1	12775A	7/16-14 HEX NUT
17	1	12900	#10 X 1 1/2" PPH SMS
18	4	12901	5/16" FLAT WASHER
19	1	12902A	3/16" SQ. X 5/8" KEY
20	1	12910	DECAL (N/S)
21	4	17029	5/16-18 X 1.75" HHCS
22	1	17701	BASE PLATE
23	8	17704	3/8-16 X 1 1/4" HHCS
24	1	BEM51-182CZ	5 HP MOTOR, 1 PHASE
25	10	V07018	1/4" LOCKWASHER
26	10	V07019	1/4-20 HEX NUT
27	8	V20018	3/8" LOCKWASHER



**BANJO CORPORATION**  
 150 BANJO DRIVE, CRAWFORDSVILLE, IN 47933  
 WEB SITE: WWW.BANJOCORP.COM  
 E-MAIL: SALES1@BANJOCORP.COM

THIS DRAWING AND ALL INFORMATION CONTAINED THEREON ARE THE EXCLUSIVE PROPERTY OF BANJO CORPORATION.

UNLESS SPECIFICALLY NOTED, THIS DRAWING AND ITEMS SHOWN ON THIS DRAWING ARE SUBJECT TO CHANGE AT ANY TIME.

DESCRIPTION  
**2" POLY PUMP W/ 5HP ELEC. MTR.**  
 PART NUMBER  
**234PPE51V**