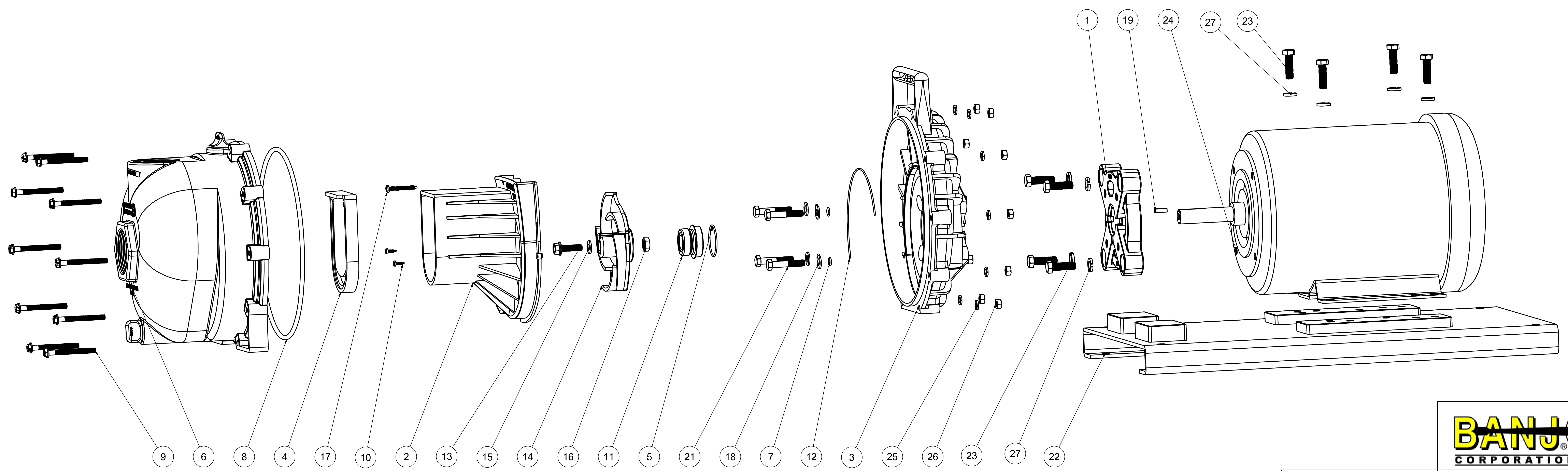


Parts List			
ITEM	QTY	PART NUMBER	DESCRIPTION
1	1	12046	56C ADAPTER PLATE
2	1	12702A	2" POLY PUMP VOLUTE
3	1	12703A	POLY PUMP REAR BRACKET
4	1	12705	CHECKVALVE
5	1	12710	#029 O'RING
6	1	12712AP	2" POLY PUMP BODY
7	4	12717	#11 O'RING
8	1	12719A	#375 O'RING
9	10	12720	1/4-20 X 2 1/2" SL IND HWHS
10	2	12725SS	#6 X 1/2" PPH SMS
11	1	12733	MECH. SEAL ASSY.
12	1	12754	O'RING SEGMENT
13	1	12765A	5/16-24 X 1 1/8" HFS
14	1	12772	IMPELLER
15	1	12774VA	IMPELLER BOLT GASKET
16	1	12775A	7/16-14 HEX NUT
17	1	12900SS	#10 X 1 1/2" PPH SMS, 316SS
18	4	12901	5/16" FLAT WASHER
19	1	12902A	3/16" SQ. X 5/8" KEY
20	1	12910	DECAL (N/S)
21	4	17029	5/16-18 X 1.75" HHCS
22	1	17701	BASE PLATE
23	8	17704	3/8-16 X 1 1/4" HHCS
24	1	BEM5-182CZ	5 HP MOTOR
25	10	V07018	1/4" LOCKWASHER
26	10	V07019	1/4-20 HEX NUT
27	8	V20018	3/8" LOCKWASHER



THIS DRAWING AND ALL INFORMATION CONTAINED THEREON ARE THE EXCLUSIVE PROPERTY OF BANJO CORPORATION.

BANJO CORPORATION
 150 BANJO DRIVE, CRAWFORDSVILLE, IN 47933
 WEB SITE: WWW.BANJOCORP.COM
 E-MAIL: SALES1@BANJOCORP.COM

UNLESS SPECIFICALLY NOTED, THIS DRAWING AND ITEMS SHOWN ON THIS DRAWING ARE SUBJECT TO CHANGE AT ANY TIME.

DESCRIPTION
2" POLY PUMP W/ 5HP ELEC. MTR.
 PART NUMBER
234PPE5