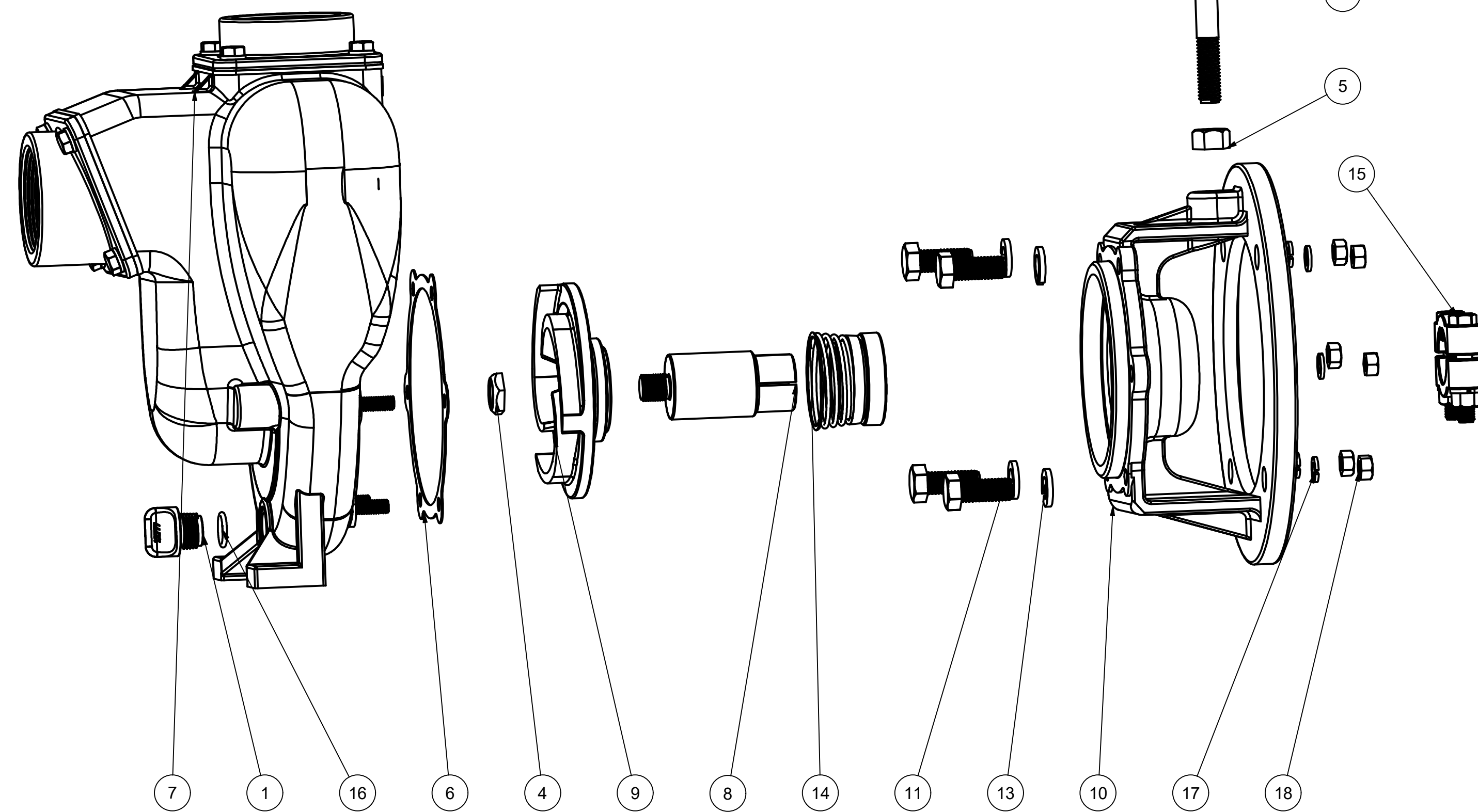


SECTION B-B
SCALE .4375



PARTS LIST			
ITEM	QTY	PART NUMBER	DESCRIPTION
1	1	12777	1/2" DRAIN PLUG
2	1	12910	DECAL (N/S)
3	1	15022	2" PUMP HANDLE
4	1	17009B	5/8-18 IMPELLER NUT
5	1	17010	1/2-13 HEX NUT
6	1	17018	PUMP ADAPTER GASKET
7	1	17126	2" PUMP HOUSING ASSY
8	1	17406	ADAPTER SHAFT
9	1	17408	PUMP IMPELLER
10	1	17446	ELEC. MTR ADAPTER
11	4	17449	1/2-13 X 1 1/4" HHCS
12	4	17704	3/8-16 X 1 1/4" HHCS (N/S)
13	4	18058	1/2" LOCKWASHER
14	1	18125	MECH. SEAL ASSY.
15	1	18129	KEYED CLAMP ASSY.
16	1	UV15163	AS568A -114 O-RING, EPDM, BROWN
17	6	V10118	5/16" LOCKWASHER
18	6	V10119	5/16" HEX NUT
19	4	V20018	3/8" LOCKWASHER (N/S)

NOTE:
17704 & V20018 TO BE USED IN LIEU OF 17449
& 18058 FOR 3HP MOTORS



BANJO CORPORATION
150 BANJO DRIVE, CRAWFORDSVILLE, IN 47933
WEB SITE: WWW.BANJO.CORP.COM
E-MAIL: BANJOSALES@DEXCORP.COM

THIS DRAWING AND ALL INFORMATION CONTAINED THEREON ARE THE EXCLUSIVE PROPERTY OF BANJO CORPORATION.
UNLESS SPECIFICALLY NOTED, THIS DRAWING AND ITEMS SHOWN ON THIS DRAWING ARE SUBJECT TO CHANGE AT ANY TIME.

DESCRIPTION
2"CAST IRON PUMP W/184TC ADAPT
PART NUMBER
234POI