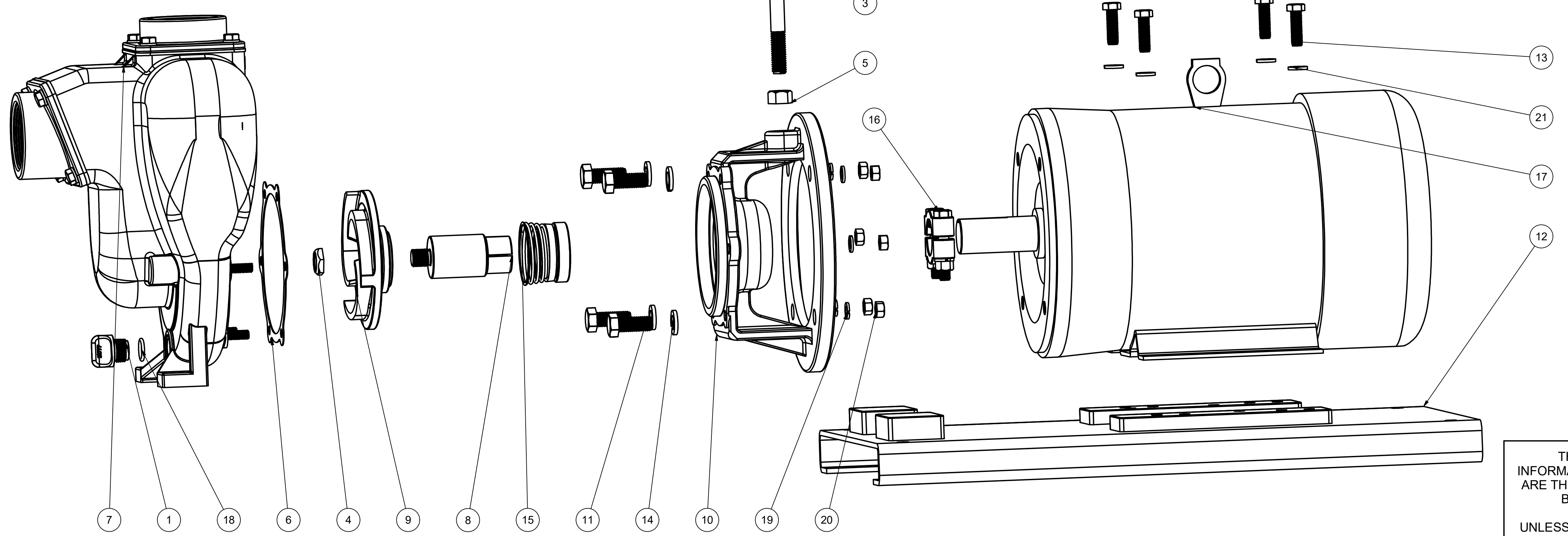


SECTION B-B  
SCALE .4375



PARTS LIST			
ITEM	QTY	PART NUMBER	DESCRIPTION
1	1	12777	1/2" DRAIN PLUG
2	1	12910	DECAL (N/S)
3	1	15022	2" PUMP HANDLE
4	1	17009B	5/8-18 IMPELLER NUT
5	1	17010	1/2-13 HEX NUT
6	1	17018	PUMP ADAPTER GASKET
7	1	17126	2" PUMP HOUSING ASSY
8	1	17406	ADAPTER SHAFT
9	1	17408	PUMP IMPELLER
10	1	17446	ELEC. MTR ADAPTER
11	4	17449	1/2-13 X 1 1/4" HHCS
12	1	17701	BASE PLATE
13	4	17704	3/8-16 X 1 1/4" HHCS
14	4	18058	1/2" LOCKWASHER
15	1	18125	MECH. SEAL ASSY.
16	1	18129	KEYED CLAMP ASSY.
17	1	BEM5	5 HP MOTOR, 3 PHASE
18	1	UV15163	AS568A -114 O-RING, EPDM, BROWN
19	6	V10118	5/16" LOCKWASHER
20	6	V10119	5/16" HEX NUT
21	4	V20018	3/8" LOCKWASHER



BANJO CORPORATION  
150 BANJO DRIVE, CRAWFORDSVILLE, IN 47933  
WEB SITE: WWW.BANJO.CORP.COM  
E-MAIL: BANJOSALES@DEXCORP.COM

THIS DRAWING AND ALL INFORMATION CONTAINED THEREON ARE THE EXCLUSIVE PROPERTY OF BANJO CORPORATION.  
UNLESS SPECIFICALLY NOTED, THIS DRAWING AND ITEMS SHOWN ON THIS DRAWING ARE SUBJECT TO CHANGE AT ANY TIME.

DESCRIPTION  
**2"CI PUMP-5HP-3450-RPM-3 PHASE**  
PART NUMBER  
**234PIE5**