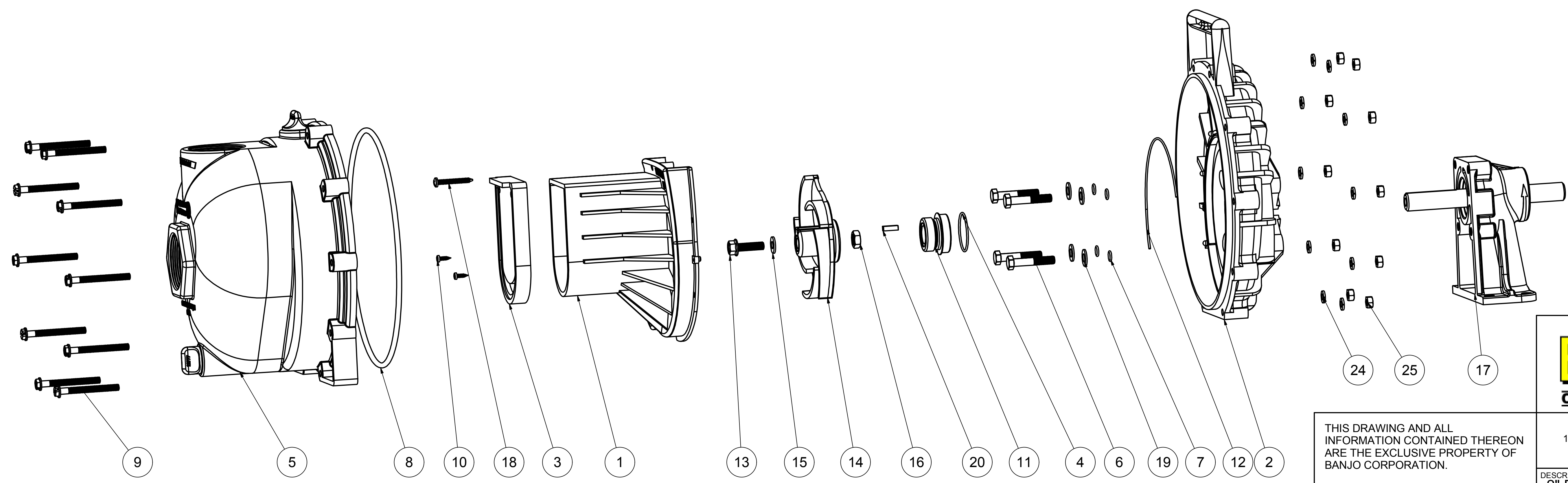


Parts List			
ITEM	QTY	PART NUMBER	DESCRIPTION
1	1	12702A	2" POLY PUMP VOLUTE
2	1	12703A	POLY PUMP REAR BRACKET
3	1	12705	CHECKVALVE
4	1	12710	#029 O'RING
5	1	12712AP	2" POLY PUMP BODY
6	4	12715A	5/16-24 X 1 3/4" HHCS
7	4	12717	#11 O'RING
8	1	12719A	#375 O'RING
9	10	12720	1/4-20 X 2 1/2" SL IND HWHS
10	2	12725	#6 X 1/2" PPH SMS
11	1	12733	MECH. SEAL ASSY.
12	1	12754	O'RING SEGMENT
13	1	12765A	5/16-24 X 1 1/8" HFS
14	1	12772	IMPELLER
15	1	12774VA	IMPELLER BOLT GASKET
16	1	12775A	7/16-14 HEX NUT
17	1	12882A	BEARING PEDESTAL
18	1	12900	#10 X 1 1/2" PPH SMS
19	4	12901	5/16" FLAT WASHER
20	1	12902A	3/16" SQ. X 5/8" KEY
21	1	12910	DECAL (N/S)
22	1	12911D	PSI DECAL (N/S)
23	1	CE050D	CE DECAL (N/S)
24	10	V07018	1/4" LOCKWASHER
25	10	V07019	1/4-20 HEX NUT



BANJO CORPORATION

150 BANJO DRIVE, CRAWFORDSVILLE, IN 47933
 WEB SITE: WWW.BANJOCORP.COM
 E-MAIL: SALES1@BANJOCORP.COM

DESCRIPTION
2" POLY PUMP W/ BEARING PED. & 5 VANE IMP.

PART NUMBER
205PB

THIS DRAWING AND ALL INFORMATION CONTAINED THEREON ARE THE EXCLUSIVE PROPERTY OF BANJO CORPORATION.

UNLESS SPECIFICALLY NOTED, THIS DRAWING AND ITEMS SHOWN ON THIS DRAWING ARE SUBJECT TO CHANGE AT ANY TIME.