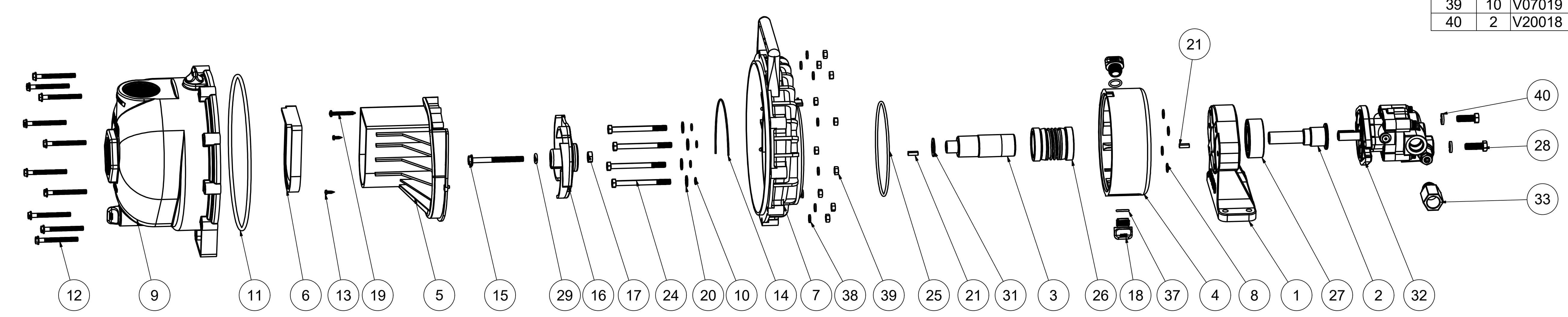


Parts List			
ITEM	QTY	PART NUMBER	DESCRIPTION
1	1	12049E	HYD. MOTOR PEDESTAL
2	1	12055E	HYD. ADAPTER SHAFT
3	1	12155	ADAPTER SHAFT
4	1	12202W	2" POLY RESERVOIR
5	1	12702A	2" POLY PUMP VOLUTE
6	1	12705	PUMP CHECKVALVE, EPDM
7	1	12707W	2" W.S. REAR BRACKET
8	4	12709	#13 O-RING, EPDM
9	1	12712AP	2" POLY PUMP BODY
10	4	12717	#11 O-RING, EPDM
11	1	12719A	#375 O-RING, EPDM
12	10	12720	1/4-20 X 2 1/2" SL IND HWHS
13	2	12725	#6 X 1/2" PPH SMS
14	1	12754	O-RING SEGMENT
15	1	12766	5/16-24 X 3 1/4" HFS
16	1	12772	IMPELLER
17	1	12775A	7/16-14 HEX NUT
18	2	12777	1/2" DRAIN PLUG
19	1	12900	#10 X 1 1/2" PPH SMS
20	4	12901	5/16" FLAT WASHER
21	2	12902A	3/16" SQ. X 5/8" KEY
22	1	12910	PUMP DECAL (N/S)
23	1	12911D	PSI DECAL (N/S)
24	4	13034	5/16-24 X 3 1/2" HHCS
25	1	13719	#256 O-RING, EPDM
26	1	15035E	MECH. SEAL ASSY, EPDM
27	1	17056E	3206 BEARING
28	2	18010SS	3/8-16 X 1 1/8" HHCS
29	1	A204	#204 O-RING, EPDM
30	1	CE050D	CE DECAL (N/S)
31	1	CV10175	GASKET
32	1	HY10131	MGG20025BC1D3 GRESEN HYD MTR
33	1	HY10132	HYD. CHECK VALVE
34	1	KK-46	PUMP BOOK-HYDRAULIC
35	1	KK-57	WET SEAL WARNING TAG (N/S)
36	1	KK-78	HYD MTR WARNING TAG (N/S)
37	2	UV15163	#114 O-RING, EPDM
38	10	V07018	1/4" LOCKWASHER
39	10	V07019	1/4-20 HEX NUT
40	2	V20018	3/8" LOCKWASHER



THIS DRAWING AND ALL INFORMATION CONTAINED THEREON ARE THE EXCLUSIVE PROPERTY OF BANJO CORPORATION.

UNLESS SPECIFICALLY NOTED, THIS DRAWING AND ITEMS SHOWN ON THIS DRAWING ARE SUBJECT TO CHANGE AT ANY TIME.



**BANJO CORPORATION**  
 150 BANJO DRIVE, CRAWFORDSVILLE, IN 47933  
 WEB SITE: WWW.BANJOCORP.COM  
 E-MAIL: SALES1@BANJOCORP.COM

DESCRIPTION  
**2" POLY WET SEAL PUMP**

PART NUMBER  
**200PHYW**