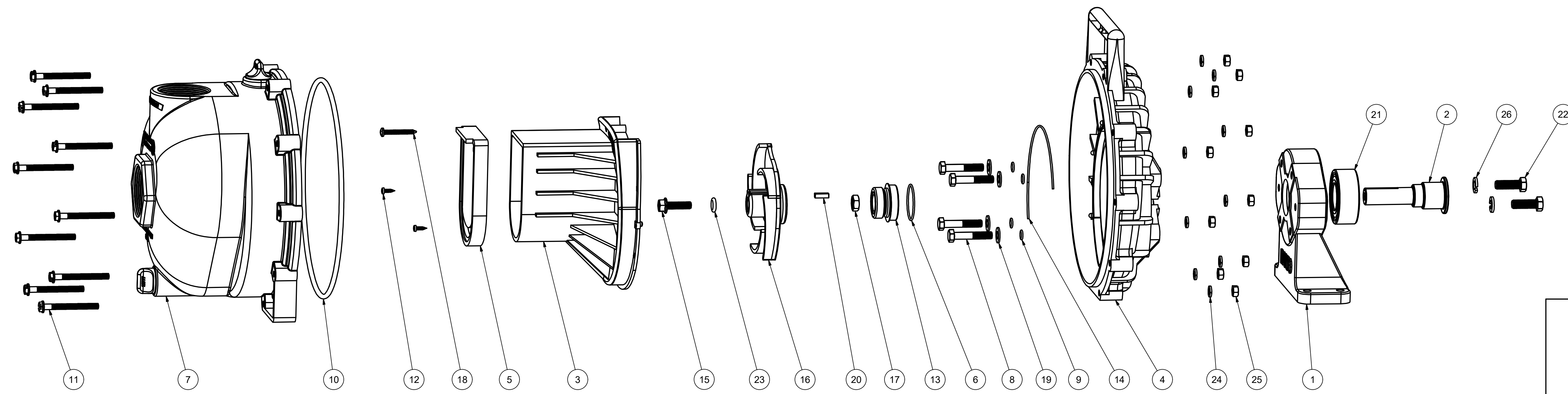


		Parts List	
ITEM	QTY	PART NUMBER	DESCRIPTION
1	1	12049E	HYD. MOTOR PEDESTAL
2	1	12055E	HYD. ADAPTER SHAFT
3	1	12702A	2" POLY PUMP VOLUTE
4	1	12703A	POLY PUMP REAR BRACKET
5	1	12705	PUMP CHECKVALVE, EPDM
6	1	12710	#029 O'RING
7	1	12712AP	2" POLY PUMP BODY
8	4	12715A	5/16-24 X 1 3/4" HHCS WITH TORQ-PATCH
9	4	12717	#11 O'RING, EPDM
10	1	12719A	#375 O'RING, EPDM
11	10	12720	1/4-20 X 2 1/2" SL IND HWHS
12	2	12725	#6 X 1/2" PPH SMS
13	1	12733	MECH. SEAL ASSY.
14	1	12754	O'RING SEGMENT
15	1	12765A	5/16-24 X 1 1/8" HFS
16	1	12772	IMPELLER
17	1	12775A	7/16-14 HEX NUT
18	1	12900	#10 X 1 1/2" PPH SMS
19	4	12901	5/16" FLAT WASHER
20	1	12902A	3/16" SQ. X 5/8" KEY
NS	1	12910	DECAL
NS	1	12911D	PSI DECAL
21	1	17056E	3206 BEARING
22	2	18010SS	3/8-16 X 1 1/8" HHCS
23	1	A204	#204 O'RING, EPDM
NS	1	CE050D	CE DECAL
24	10	V07018	1/4" LOCKWASHER
25	10	V07019	1/4-20 HEX NUT
26	2	V20018	3/8" LOCKWASHER



BANJO CORPORATION
 150 BANJO DRIVE, CRAWFORDSVILLE, IN 47933
 WEB SITE: WWW.BANJOCORP.COM
 E-MAIL: SALES1@BANJOCORP.COM

THIS DRAWING AND ALL INFORMATION CONTAINED THEREON ARE THE EXCLUSIVE PROPERTY OF BANJO CORPORATION.
 UNLESS SPECIFICALLY NOTED, THIS DRAWING AND ITEMS SHOWN ON THIS DRAWING ARE SUBJECT TO CHANGE AT ANY TIME.

DESCRIPTION
2" POLY PUMP W/O HYD. MOTOR
 PART NUMBER
200PHA