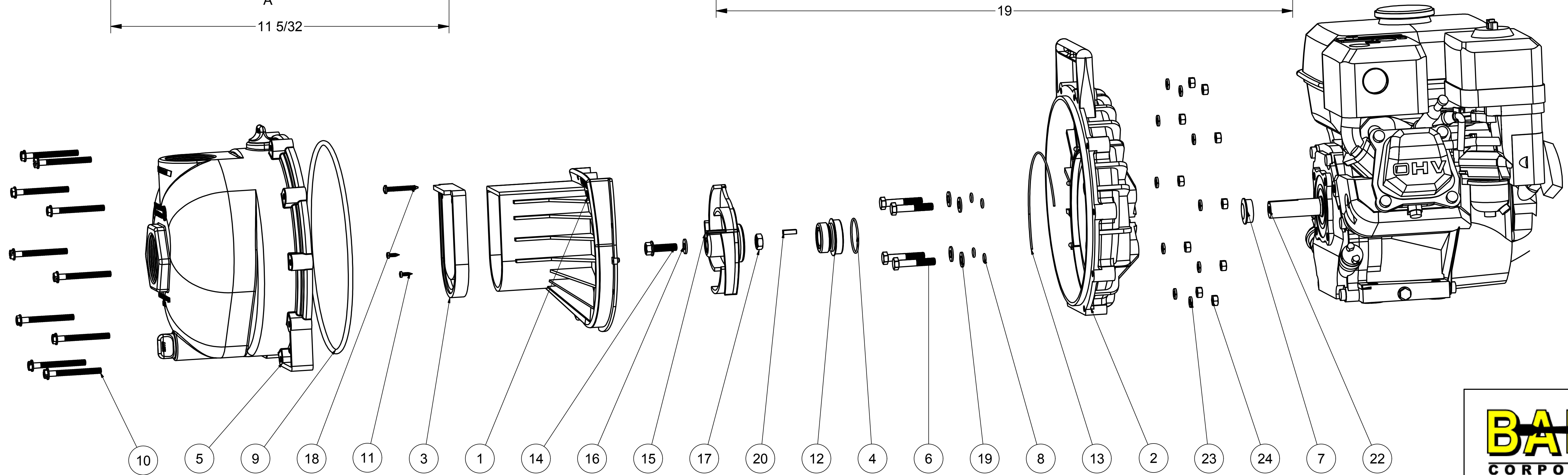


Parts List			
ITEM	QTY	PART NUMBER	DESCRIPTION
1	1	12702A	2" POLY PUMP VOLUTE
2	1	12703A	POLY PUMP REAR BRACKET
3	1	12705	CHECKVALVE
4	1	12710	#029 O'RING
5	1	12712AP	2" POLY PUMP BODY
6	4	12715A	5/16-24 X 1 3/4" HHCS
7	1	12716	PUMP SLINGER
8	4	12717	#11 O'RING
9	1	12719A	#375 O'RING
10	10	12720	1/4-20 X 2 1/2" SL IND HWHS
11	2	12725	#6 X 1/2" PPH SMS
12	1	12733	MECH. SEAL ASSY.
13	1	12754	O'RING SEGMENT
14	1	12765A	5/16-24 X 1 1/8" HFS
15	1	12772	IMPELLER
16	1	12774VA	IMPELLER BOLT GASKET
17	1	12775A	7/16-14 HEX NUT
18	1	12900	#10 X 1 1/2" PPH SMS
19	4	12901	5/16" FLAT WASHER
20	1	12902A	3/16" SQ. X 5/8" KEY
21	1	12910	DECAL (N/S)
22	1	E5H	5.5 HP HONDA
23	10	V07018	1/4" LOCKWASHER
24	10	V07019	1/4-20 HEX NUT



**BANJO CORPORATION**  
 150 BANJO DRIVE, CRAWFORDSVILLE, IN 47933  
 WEB SITE: WWW.BANJOCORP.COM  
 E-MAIL: SALES1@BANJOCORP.COM

THIS DRAWING AND ALL INFORMATION CONTAINED THEREON ARE THE EXCLUSIVE PROPERTY OF BANJO CORPORATION.  
 UNLESS SPECIFICALLY NOTED, THIS DRAWING AND ITEMS SHOWN ON THIS DRAWING ARE SUBJECT TO CHANGE AT ANY TIME.

DESCRIPTION  
**2" POLY PUMP W/ 5.5 HP HONDA**  
 PART NUMBER  
**200PH-5**