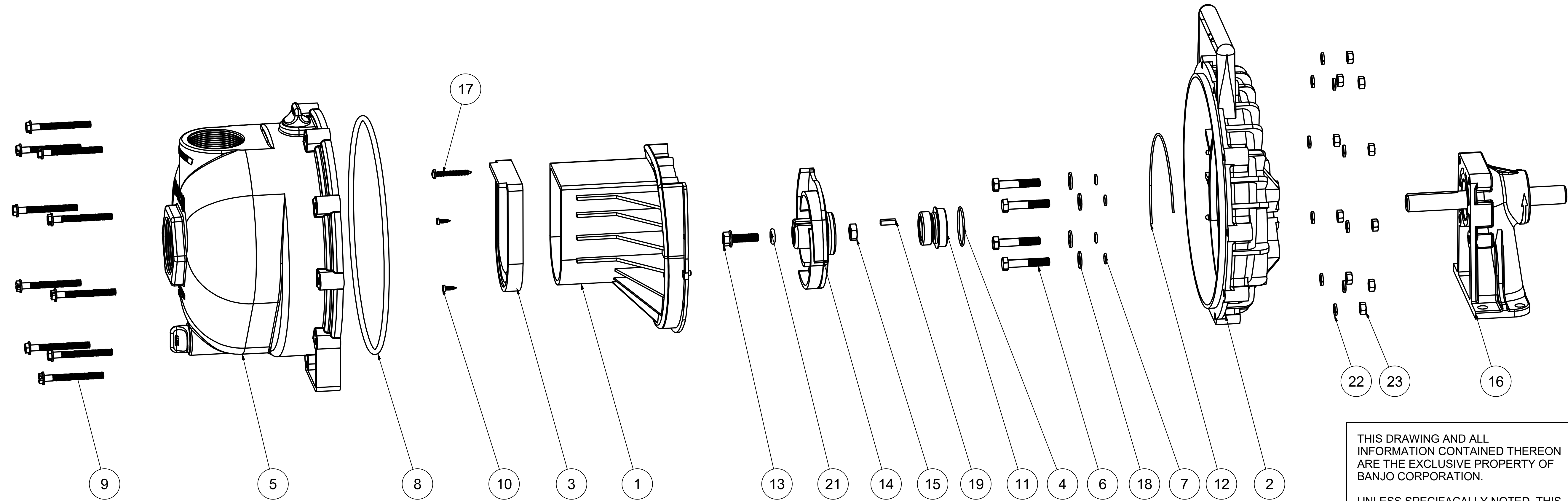


| Parts List | | | |
|------------|-----|-------------|---------------------------------------|
| ITEM | QTY | PART NUMBER | DESCRIPTION |
| 1 | 1 | 12702A | 2" POLY PUMP VOLUTE |
| 2 | 1 | 12703A | POLY PUMP REAR BRACKET |
| 3 | 1 | 12705 | CHECKVALVE |
| 4 | 1 | 12710 | #029 O'RING |
| 5 | 1 | 12712AP | 2" POLY PUMP BODY |
| 6 | 4 | 12715A | 5/16-24 X 1 3/4" HHCS WITH TORQ-PATCH |
| 7 | 4 | 12717 | #11 O'RING |
| 8 | 1 | 12719A | #375 O'RING |
| 9 | 10 | 12720 | 1/4-20 X 2 1/2" SL IND HWHS |
| 10 | 2 | 12725 | #6 X 1/2" PPH SMS |
| 11 | 1 | 12733 | MECH. SEAL ASSY. |
| 12 | 1 | 12754 | O'RING SEGMENT |
| 13 | 1 | 12765A | 5/16-24 X 1 1/8" HFS |
| 14 | 1 | 12771A | IMPELLER |
| 15 | 1 | 12775A | 7/16-14 HEX NUT |
| 16 | 1 | 12882A | BEARING PEDESTAL |
| 17 | 1 | 12900 | #10 X 1 1/2" PPH SMS |
| 18 | 4 | 12901 | 5/16" FLAT WASHER |
| 19 | 1 | 12902A | 3/16" SQ. X 5/8" KEY |
| 20 | 1 | 12910 | DECAL (N/S) |
| 21 | 1 | A204 | #204 O'RING, EPDM |
| 22 | 10 | V07018 | 1/4" LOCKWASHER |
| 23 | 10 | V07019 | 1/4-20 HEX NUT |





BANJO CORPORATION

150 BANJO DRIVE, CRAWFORDSVILLE, IN 47933
 WEB SITE: WWW.BANJOCORP.COM
 E-MAIL: SALES1@BANJOCORP.COM

DESCRIPTION
 2" POLY WET SEAL PUMP W/
 BEARING PED.

PART NUMBER
 200PB

THIS DRAWING AND ALL INFORMATION CONTAINED THEREON ARE THE EXCLUSIVE PROPERTY OF BANJO CORPORATION.

UNLESS SPECIFICALLY NOTED, THIS DRAWING AND ITEMS SHOWN ON THIS DRAWING ARE SUBJECT TO CHANGE AT ANY TIME.