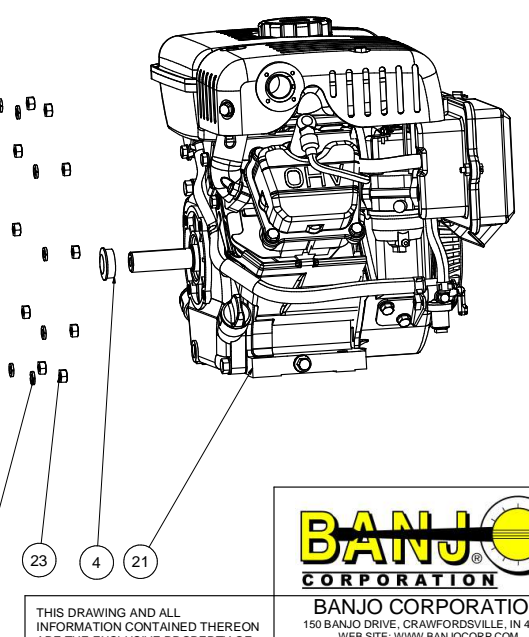
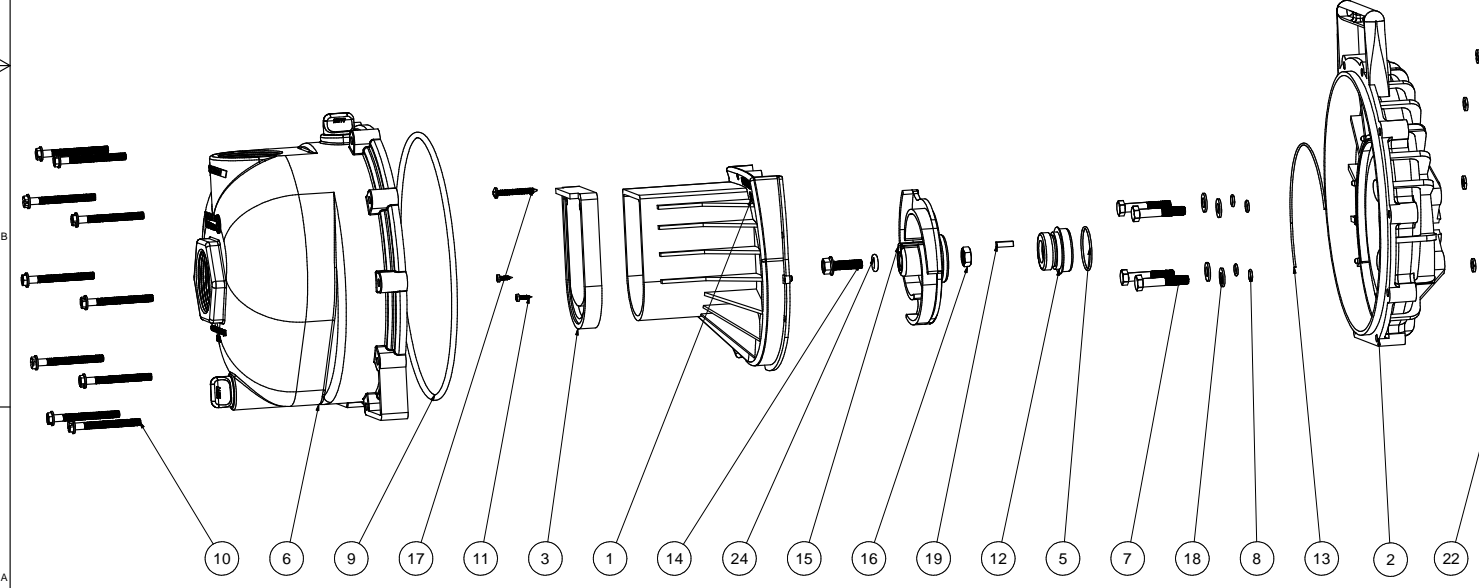


Parts List			
ITEM	QTY	PART NUMBER	DESCRIPTION
1	1	12702A	2" POLY PUMP VOLUTE
2	1	12703A	POLY PUMP REAR BRACKET
3	1	12705V	CHECKVALVE
4	1	12706	PUMP SLINGER
5	1	12710V	#029 O-RING
6	1	12712AVP	2" POLY PUMP BODY- FKM
7	4	12715C	5/16-24 X 1 3/4" HHCS W/O TORQ-PATCH
8	4	12717V	#11 O-RING
9	1	12719AV	#375 O-RING
10	10	12720	1/4-20 X 2 1/2" SL IND HWHS
11	2	12725	#6 X 1/2" PPH SMS
12	1	12733V	MECH SEAL ASSY - FKM
13	1	12754V	O-RING SEGMENT
14	1	12765A	5/16-24 X 1 1/8" HFS
15	1	12771A	IMPELLER
16	1	12775A	7/16-14 HEX NUT
17	1	12900	#10 X 1 1/2" PPH SMS
18	4	12901	5/16" FLAT WASHER
19	1	12902A	3/16" SQ. X 5/8" KEY
20	1	12910	DECAL (N/S)
21	1	E3	3.5 HP B&S
22	10	V07018	1/4" LOCKWASHER
23	10	V07019	1/4-20 HEX NUT
24	1	A204V	#204 O-RING, FKM



THIS DRAWING AND ALL INFORMATION CONTAINED THEREON ARE THE EXCLUSIVE PROPERTY OF BANJO CORPORATION.

UNLESS SPECIFICALLY NOTED, THIS DRAWING AND ITEMS SHOWN ON THIS DRAWING ARE SUBJECT TO CHANGE AT ANY TIME.

**BANJO CORPORATION**  
 150 BANJO DRIVE, CRAWFORDSVILLE, IN 47933  
 WEB SITE: WWW.BANJOCORP.COM  
 E-MAIL: SALES1@BANJOCORP.COM

DESCRIPTION  
**2" POLY PUMP W/ 3.5 HP B&S, FKM**

PART NUMBER  
**200P-3-V**



This document was created with the Win2PDF "print to PDF" printer available at <http://www.win2pdf.com>

This version of Win2PDF 10 is for evaluation and non-commercial use only.

This page will not be added after purchasing Win2PDF.

<http://www.win2pdf.com/purchase/>